

Air through perfection

Access door

AD



ACP
Access hatch

Access door AD



Description

The access door is recommended for use in areas that require regular access.
The access door makes it easier to check the air conditioning works and installations.
Can be used for wall or ceiling mounting.

Technical specifications

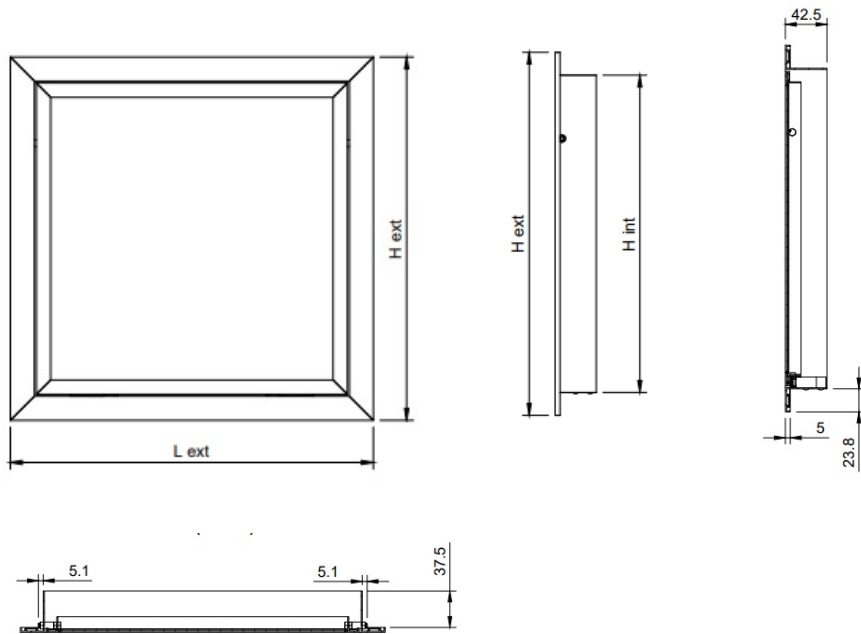
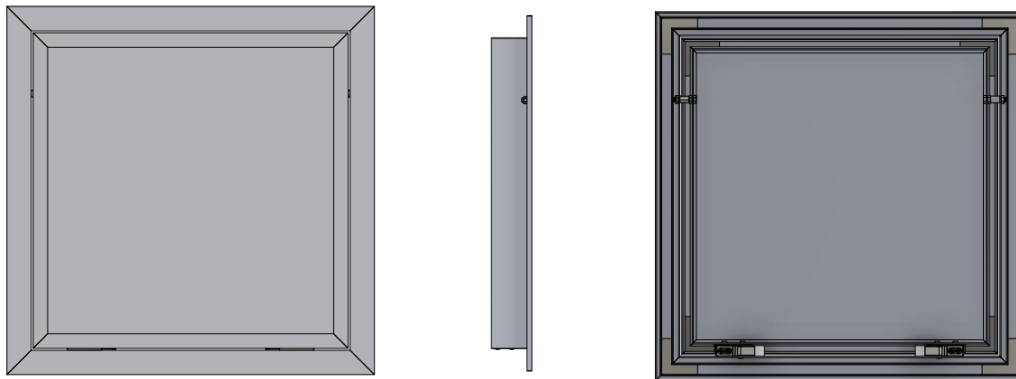
Characteristics

Opening/closing the door is easy.
The door has a click opening system (opens/closes by pressing).
Dimensions limits: minimum 200 x 200 mm, maximum 1200 x 600 mm.

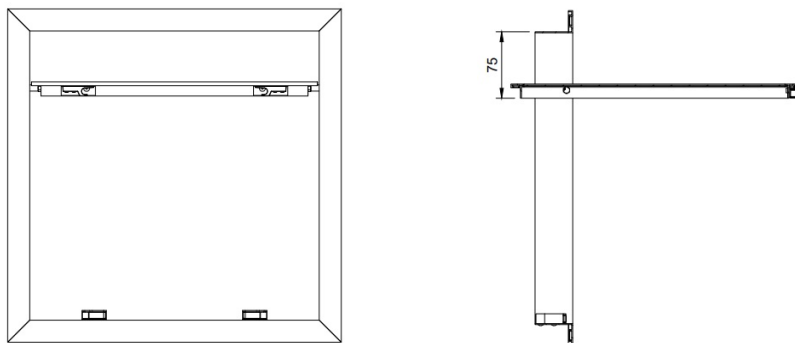
Materials

The product is made of extruded aluminum electrostatic field painted in glossy white RAL9016.
Other RAL colours are available on request.

Technical drawing



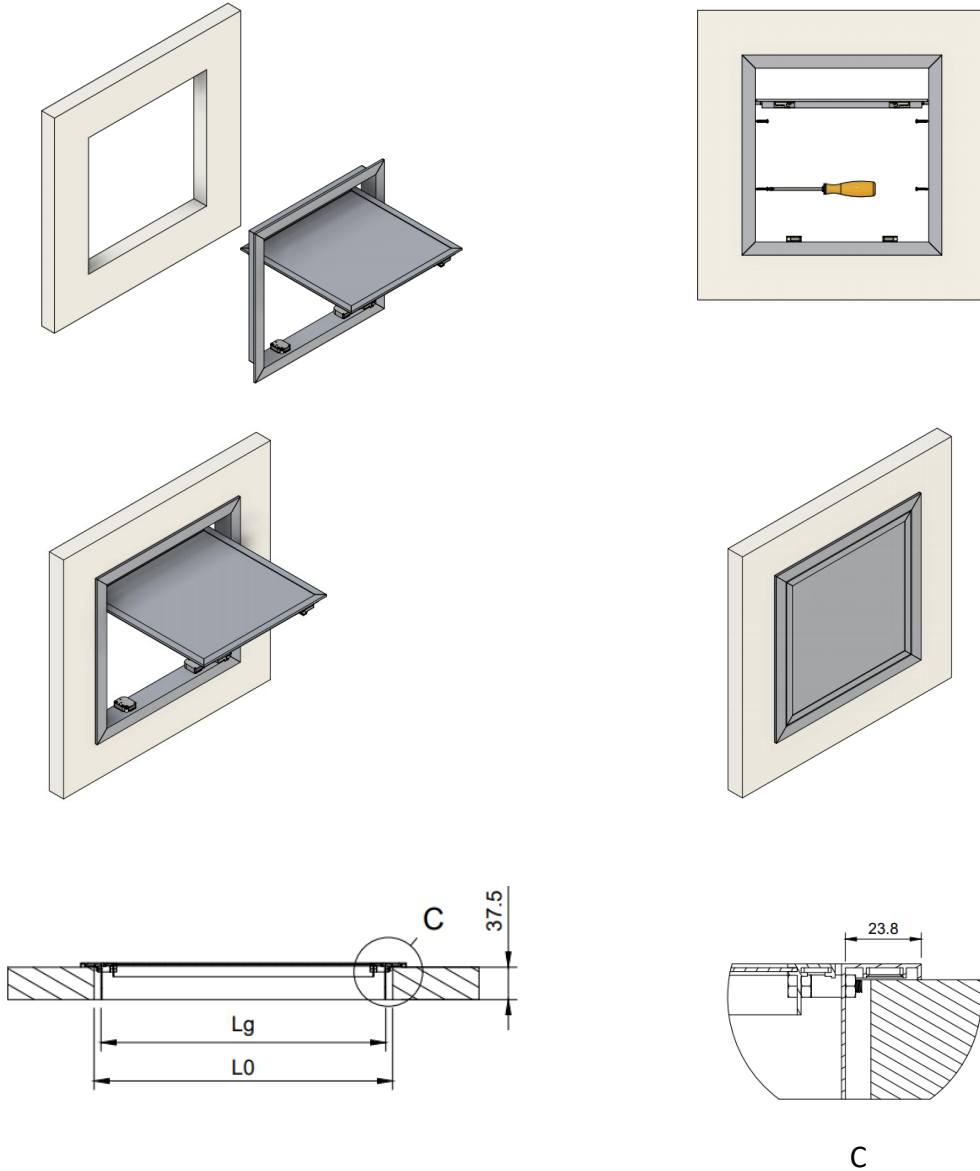
Access door open at 90°



Installation

The door is fixed to the wall or ceiling with screws. For this, on the fixed frame, mounting holes are made at the construction site according to the picture.

On request, the mounting holes can be made during production.



Order code

Example on how to place an order

Type	Dimensions	Finish
AD		
On request		
RAL 9016		
RAL - Other RAL colours		