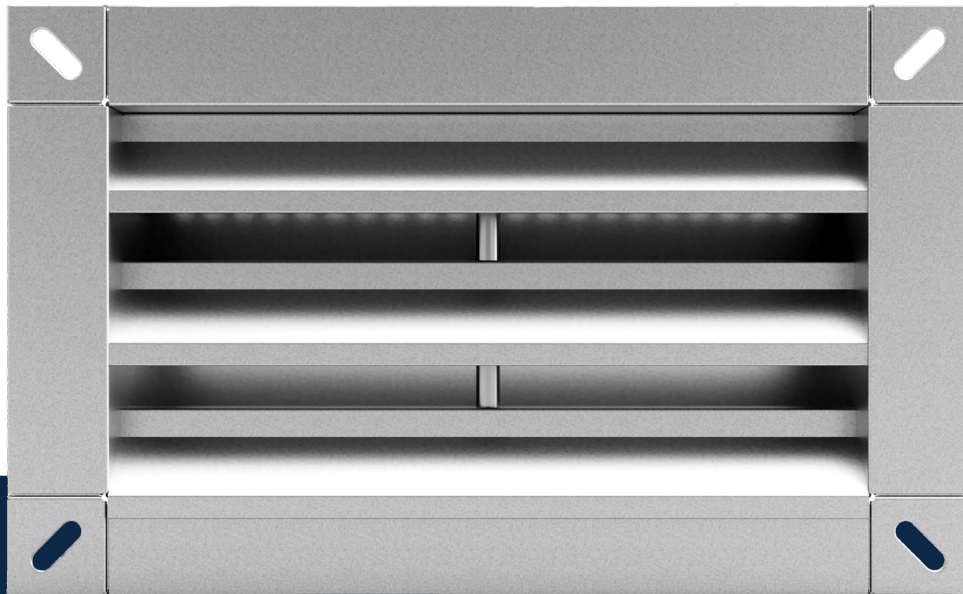


Air through perfection

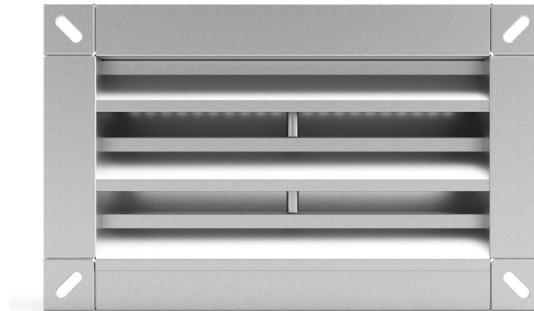
Exterior grille

WPL-S-T



ACP
Smoke evacuation grilles

Exterior grille WPL-S-T



Description

WPL-S-T is a rectangular ventilation grille used for the introduction or evacuation of air.

The WPL-S-T grille is weather resistant and is intended for mounting on the exterior walls of buildings.

Technical specifications

Characteristics

The grille is provided with fixed anti-rain blades, positioned at 45°, parallel to the “L” (length).

WPL-S-T has a galvanized steel wire mesh with 10x10 mm.

The product is made standard with oval holes for fixing with screws.

The standard finish is natural galvanized steel.

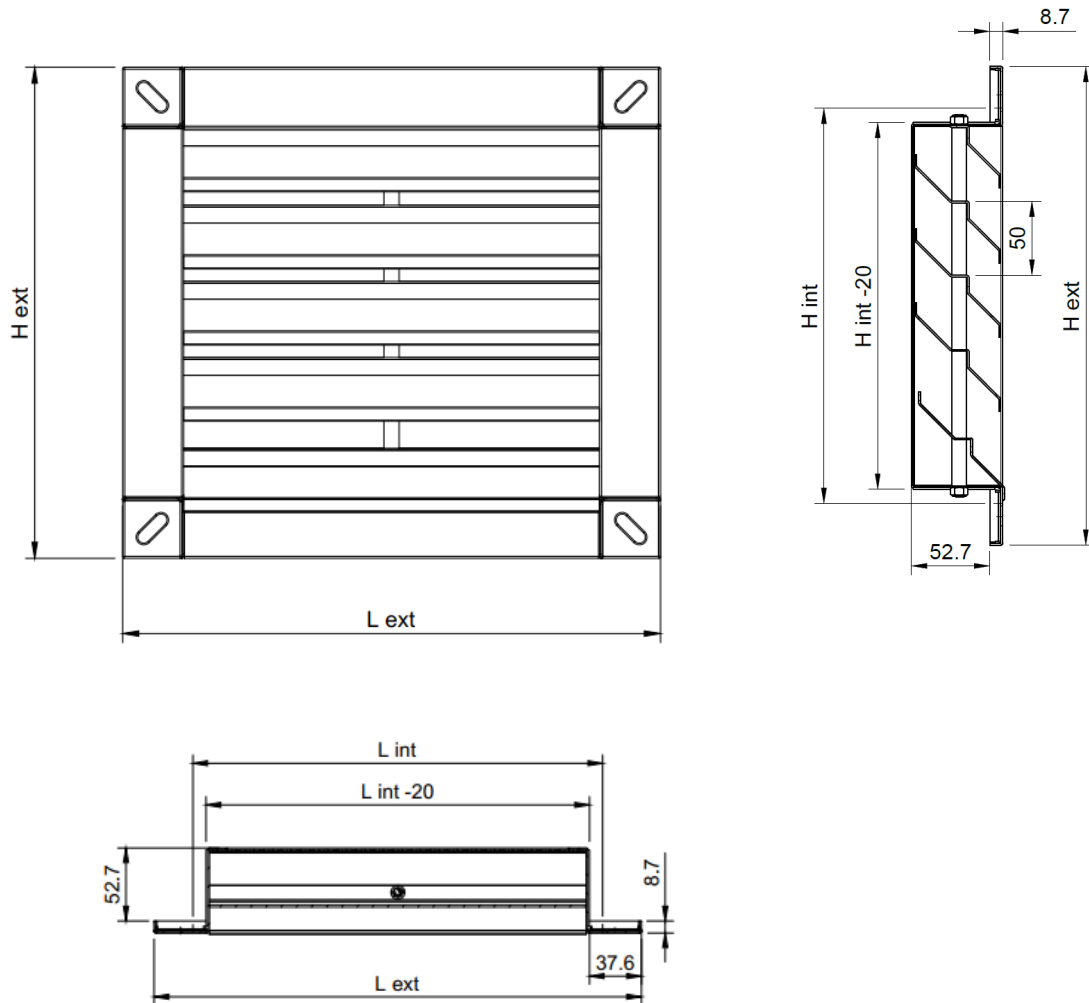
Dimensional limits: minimum 100 x 100 and maximum 2000 x 2000 mm.

Materials

The grille is made of galvanized steel with natural finishing.

On request, the product can be painted in electrostatic field in any shade from the RAL palette.

Technical drawing



Functional parameters

Air flow [m³/h]	Ak [m²]	0.01	0.02	0.03	0.04	0.05	0.06	0.08	0.10	0.15	0.20	0.25	0.30	0.40
200	Veff [m/s]	5.6	2.8											
	ΔPt [Pa]	50	8.0											
300	Veff [m/s]		4.2	2.8										
	ΔPt [Pa]		28.0	8.0										
400	Veff [m/s]		5.6	3.9	2.8	2.3								
	ΔPt [Pa]		50.0	26.0	8.0	3.0								
500	Veff [m/s]			4.8	3.6	2.8	2.3							
	ΔPt [Pa]			38.0	20.0	8	3.0							
600	Veff [m/s]			5.8	4.3	3.4	3.0	2.2						
	ΔPt [Pa]			53.0	29.0	18.0	14.0	2						
700	Veff [m/s]				5	4.0	3.4	2.5	2.2					
	ΔPt [Pa]				40	25.0	18.0	7.0	2					
800	Veff [m/s]				5.8	4.7	3.8	2.8	2.4					
	ΔPt [Pa]				53.0	35.0	25	8	4.0					
1000	Veff [m/s]					5.5	4.8	3.5	2.8					
	ΔPt [Pa]					50	38.0	18.0	8.0					
2000	Veff [m/s]								5.8	3.8	2.8	2.4		
	ΔPt [Pa]								53.0	25.0	8.0	4.0		
3000	Veff [m/s]									5.8	4.4	3.5	2.8	2.2
	ΔPt [Pa]									53.0	30	19.0	8.0	2.0
4000	Veff [m/s]										5.6	4.6	3.8	2.8
	ΔPt [Pa]										51.0	32.0	25	8.0
5000	Veff [m/s]											5.5	4.8	3.5
	ΔPt [Pa]											50.0	37.0	18.0

Discharge area Ak [m²]								
Height [mm]	Length [mm]							
	150	200	300	400	500	600	700	800
100	0.001	0.008	0.012	0.017	0.024	0.028	0.040	0.050
150	0.013	0.017	0.025	0.030	0.040	0.050	0.060	0.070
200	0.018	0.020	0.030	0.040	0.060	0.070	0.080	0.090
300	0.027	0.035	0.050	0.070	0.090	0.100	0.120	0.140
400	0.036	0.045	0.070	0.090	0.120	0.140	0.170	0.190
500	0.045	0.060	0.090	0.120	0.150	0.180	0.210	0.240
600	0.050	0.070	0.100	0.130	0.180	0.210	0.250	0.290
700	0.060	0.080	0.110	0.160	0.210	0.250	0.300	0.330
800	0.070	0.090	0.130	0.180	0.240	0.300	0.340	0.400

Note: For different discharge areas than those listed in the tables, the velocity and pressure drop values will be result by interpolation.

The legend

Ak [m²] - The free surface

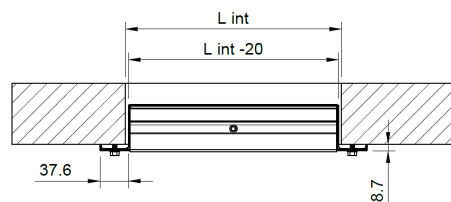
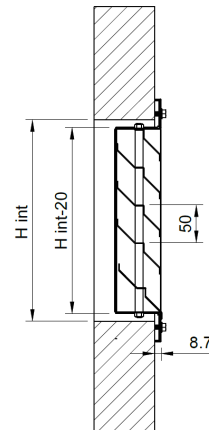
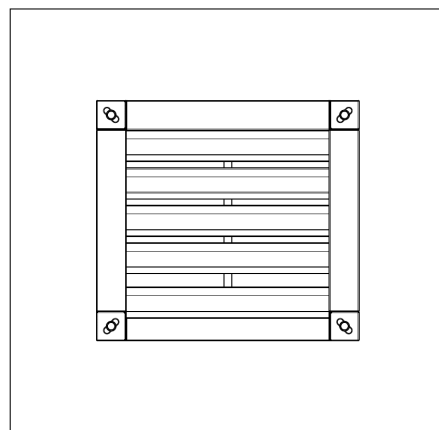
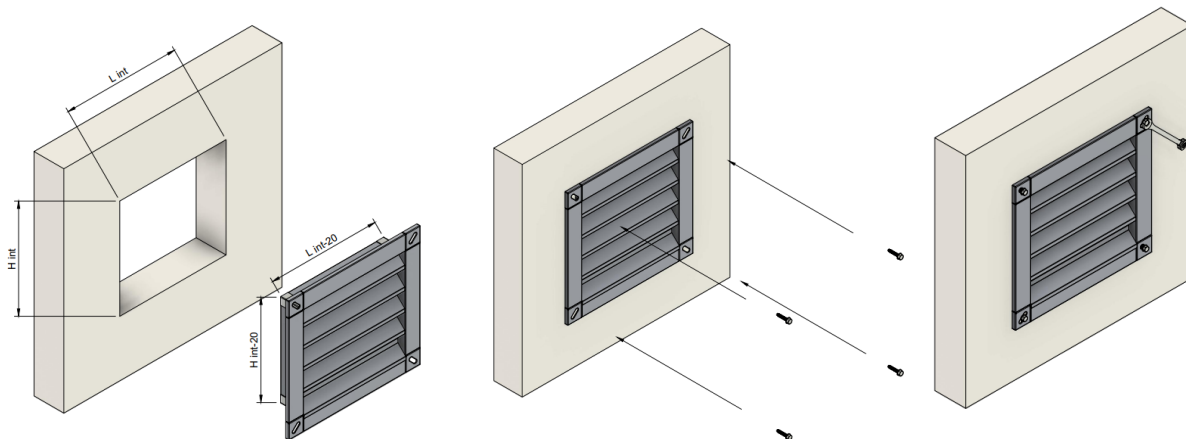
Veff [m/s] – Air velocity in the grille

ΔPt [Pa] - Pressure loss

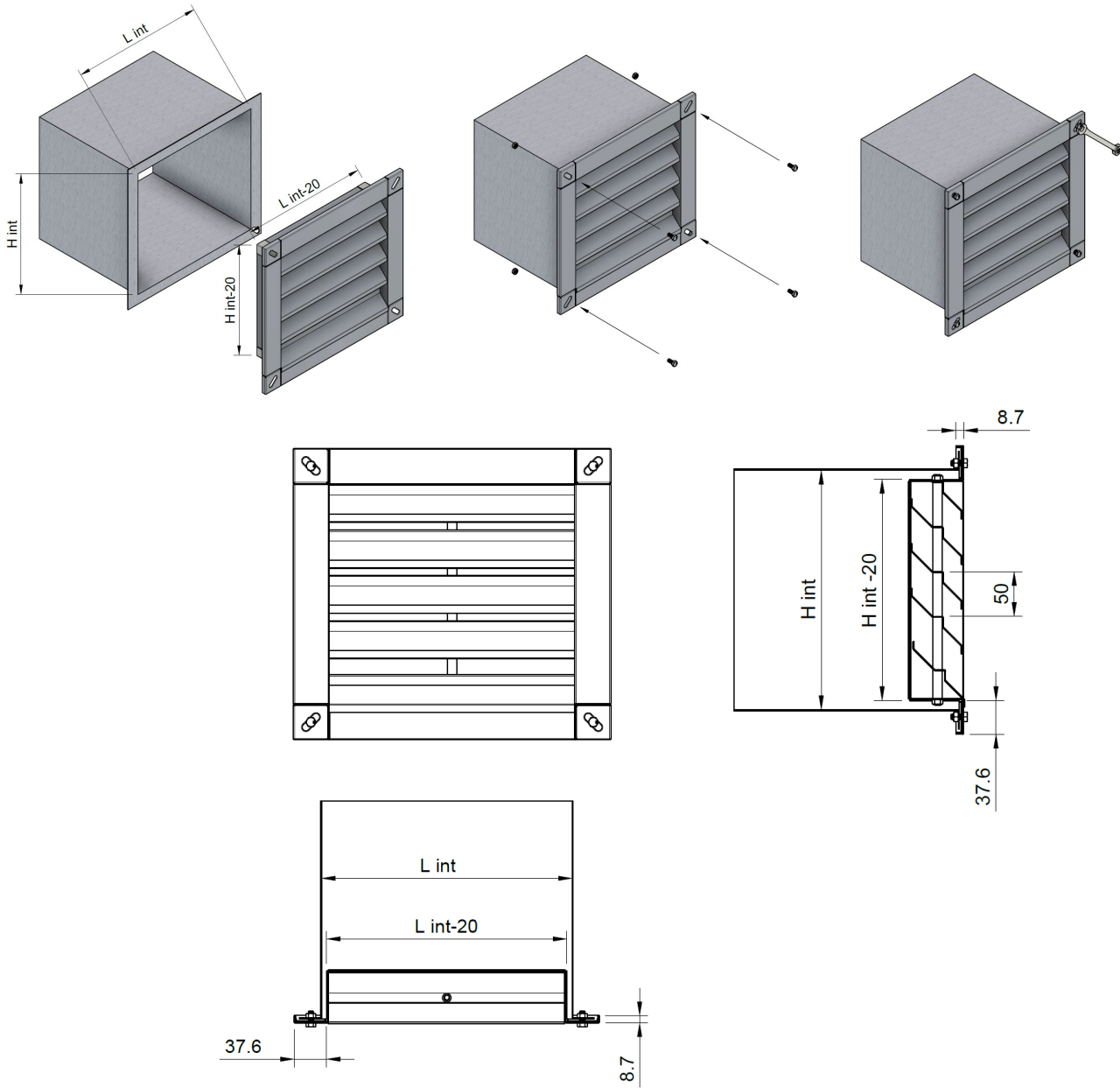
Installation

The mounting/fixing of the grille is done with screws.

Wall mounting



Rectangular duct mounting



Order code

Example on how to place an order

Type	Dimensions	Finish
WPL-S-T		
On request		
Natural		
RAL.- Other RAL colors on request		