

Air through perfection

Transfer grille **TG-S**



ACP
Grilles

Transfer grille TG-S



Description

The transfer grille, made of aluminum, is used to equalize the pressure between two rooms.
The grille is mounted in the door and is designed to allow air transfer.

Technical specifications

Characteristics

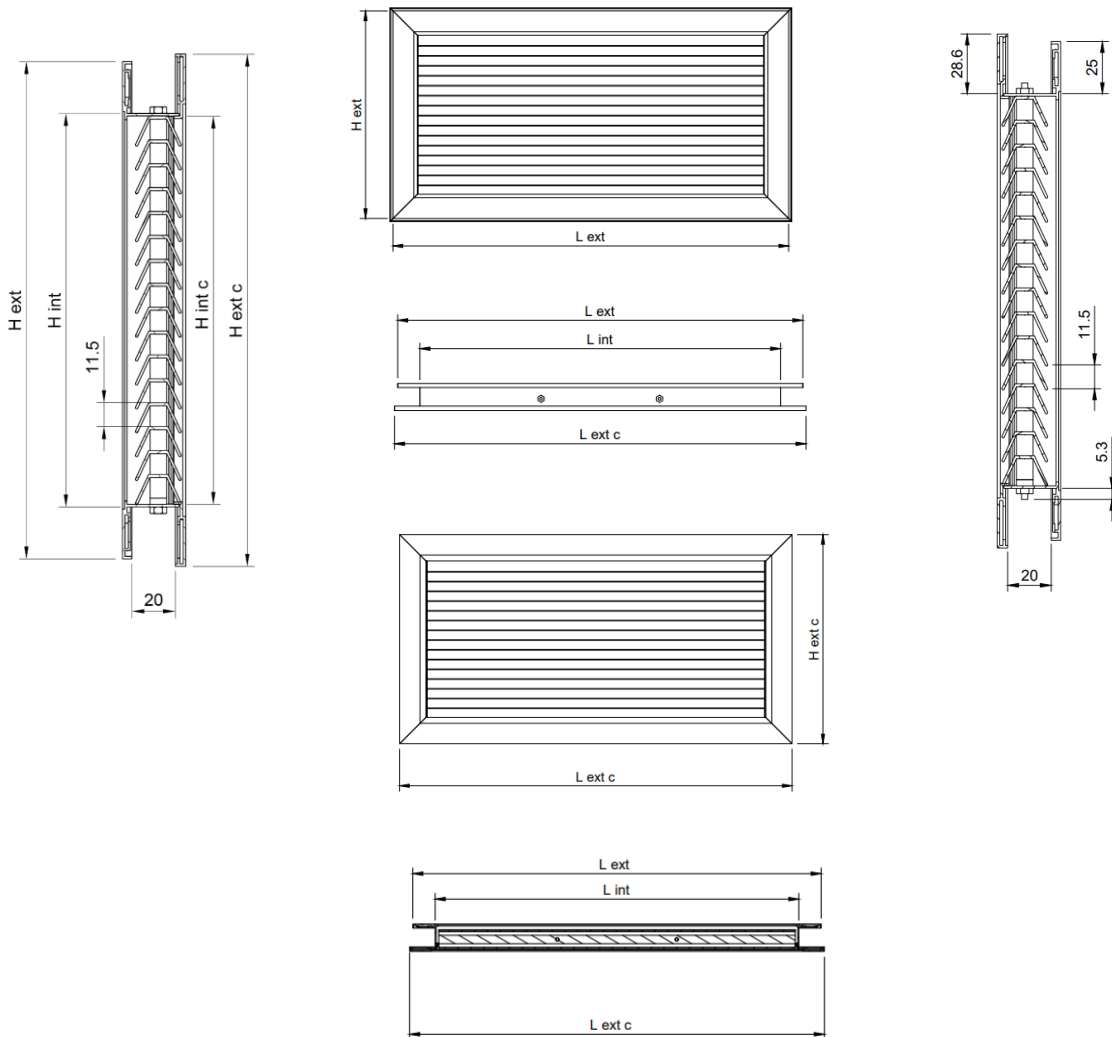
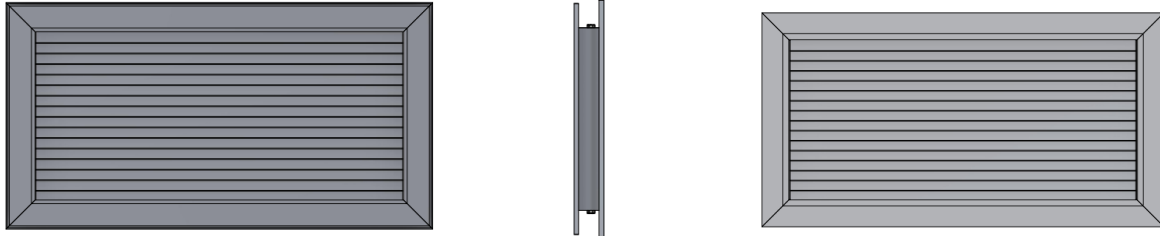
The grille is provided with "V" -shaped blades, parallel to the length ("L").
The shape of the blades and their arrangement determine the lack of visibility on the opposite side.
TG-S is used for doors with a thickness of 20 mm.
As standard, the grille is manufactured with holes for screw mounting.
The grille is delivered with screws painted in the shade of the product.

Materials

The grille is made of extruded aluminum electrostatic field painted din glossy white RAL9016.

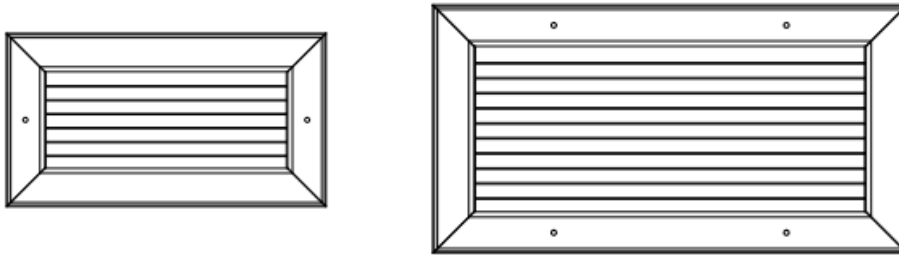
On request, the grille can be delivered in other shades from the RAL palette.

Technical drawing



Product specifications

The grille is made standard with mounting holes positioned on the product frame. The number of holes and their position are made according to the size of the product, according to the pictures and table.



L x H [mm]	Number of holes									
	100	200	300	400	500	600	700	800	900	1000
100	2	2	4	4	4	4	4	4	4	4
150	2	2	4	4	4	4	4	4	4	4
200	2	2	4	4	4	4	4	4	4	4
300	4	4	4	4	4	4	4	4	4	4
400	4	4	4	4	4	4	4	4	4	-
500	4	4	4	4	4	4	4	-	-	-
600	4	4	4	4	4	4	-	-	-	-
700	4	4	4	4	4	-	-	-	-	-
800	4	4	4	4	-	-	-	-	-	-
900	4	4	4	4	-	-	-	-	-	-
1000	4	4	4	-	-	-	-	-	-	-

Functional parameters

Air flow (m ³ /h)	L x H	200 X 100	300 X 150	400 X 200	600 X 200	300 X 300	400 X 300	500 X 300	600 X 300	600 X 400
		Ak [m ²]	0,0099	0,025	0,0449	0,0682	0,0510	0,0681	0,0857	0,1031
50	Veff[m/s]	1.39								
	NR [dB(A)]	30.50								
	ΔPt [Pa]	10.20								
60	Veff[m/s]	1.67	0.67							
	NR [dB(A)]	35.40	14.00							
	ΔPt [Pa]	14.20	2.50							
70	Veff[m/s]	1.95	0.78							
	NR [dB(A)]	40.00	16.00							
	ΔPt [Pa]	19.00	3.80							
80	Veff[m/s]	2.23	0.89							
	NR [dB(A)]	42.20	20.00							
	ΔPt [Pa]	24.00	4.00							
90	Veff[m/s]	2.51	1.00	0.56						
	NR [dB(A)]	45.50	23.50	8.00						
	ΔPt [Pa]	31.50	5.00	2.00						
100	Veff[m/s]	2.79	1.11	0.62						
	NR [dB(A)]	48.00	25.50	10.00						
	ΔPt [Pa]	38.50	6.50	2.50						
125	Veff[m/s]	3.49	1.39	0.77		0.68				
	NR [dB(A)]	52.00	30.50	15.00		12.00				
	ΔPt [Pa]	55.00	9.50	3.00		2.00				
150	Veff[m/s]		1.67	0.93		0.82				
	NR [dB(A)]		34.50	19.50		16.00				
	ΔPt [Pa]		13.00	4.00		3.20				
175	Veff[m/s]		1.94	1.08	0.71	0.95	0.71			
	NR [dB(A)]		38.00	23.00	14.00	20.00	13.00			
	ΔPt [Pa]		18.00	5.50	2.50	4.50	2.00			
200	Veff[m/s]		2.22	1.24	0.81	1.09	0.82	0.65		
	NR [dB(A)]		42.00	26.50	14.00	25.00	15.00	9.00		
	ΔPt [Pa]		24.50	7.50	3.20	5.50	3.00	2.00		
250	Veff[m/s]		2.78	1.55	1.02	1.36	1.02	0.81	0.67	
	NR [dB(A)]		48.50	33.00	23.50	30.50	23.00	17.00	13.00	
	ΔPt [Pa]		39.50	11.50	5.00	10.00	5.20	3.00	2.00	
300	Veff[m/s]		3.33	1.86	1.22	1.63	1.22	0.97	0.81	
	NR [dB(A)]		53.00	38.50	27.50	35.50	27.50	22.50	17.00	
	ΔPt [Pa]		57.00	17.50	7.00	13.00	6.50	5.00	3.50	
350	Veff[m/s]			2.17	1.43	1.91	1.43	1.13	0.94	0.70
	NR [dB(A)]			42.50	31.50	38.50	31.00	26.00	21.00	14.00
	ΔPt [Pa]			23.00	10.00	17.50	10.00	6.50	4.00	2.50
400	Veff[m/s]			2.47	1.63	2.18	1.63	1.30	1.08	0.80
	NR [dB(A)]			45.00	34.00	42.50	34.00	29.00	24.00	17.00
	ΔPt [Pa]			30.00	13.50	24.00	13.50	8.50	6.00	3.00
500	Veff[m/s]			3.09	2.04	2.72	2.04	1.62	1.35	1.00
	NR [dB(A)]			50.00	41.00	47.50	41.00	34.50	30.50	23.50
	ΔPt [Pa]			47.50	20.00	37.00	20.00	13.00	9.00	5.00
600	Veff[m/s]				2.44	3.27	2.45	1.94	1.62	1.21
	NR [dB(A)]				45.00	52.50	45.50	39.50	34.50	27.00
	ΔPt [Pa]				29.00	53.00	29.50	19.00	13.00	7.50
700	Veff[m/s]				2.85		2.85	2.27	1.89	1.41
	NR [dB(A)]				48.50		48.00	43.00	38.50	31.00
	ΔPt [Pa]				42.50		42.00	25.50	17.00	10.00
800	Veff[m/s]						3.26	2.59	2.16	1.61
	NR [dB(A)]						52.00	46.00	41.00	34.50
	ΔPt [Pa]						52.50	33.50	23.50	13.00
900	Veff[m/s]							2.92	2.42	1.81
	NR [dB(A)]							49.00	44.00	37.50
	ΔPt [Pa]							42.50	29.50	16.50
1000	Veff[m/s]							3.24	2.69	2.01
	NR [dB(A)]							52.00	47.00	41.00
	ΔPt [Pa]							52.50	36.50	20.00
1200	Veff[m/s]								3.23	2.41
	NR [dB(A)]								52.50	44.00
	ΔPt [Pa]								51.00	29.50
1400	Veff[m/s]									2.81
	NR [dB(A)]									48.50
	ΔPt [Pa]									39.00
1600	Veff[m/s]									3.22
	NR [dB(A)]									51.00
	ΔPt [Pa]									51.00

The legend

Ak [m²] - The free surface of the grille

Veff [m/s] – Air velocity in the grille

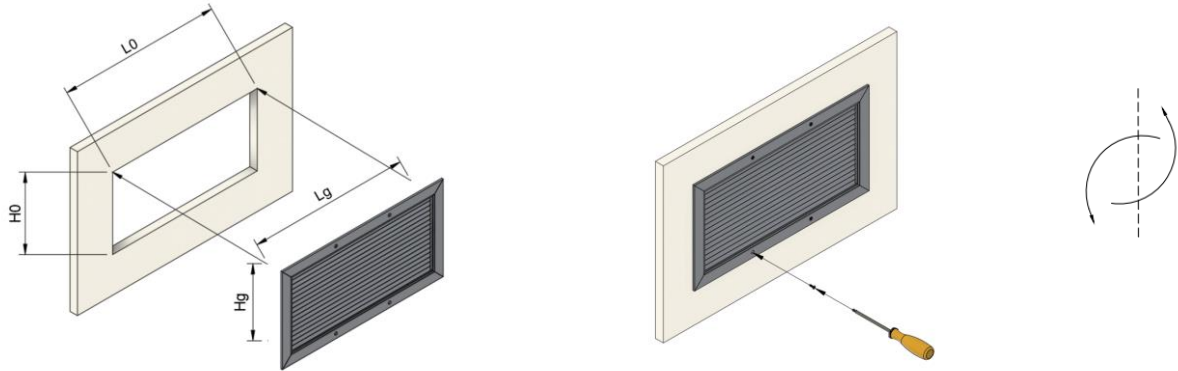
NR [dB (A)] - Noise level without room attenuation

ΔPt [Pa] - Pressure loss

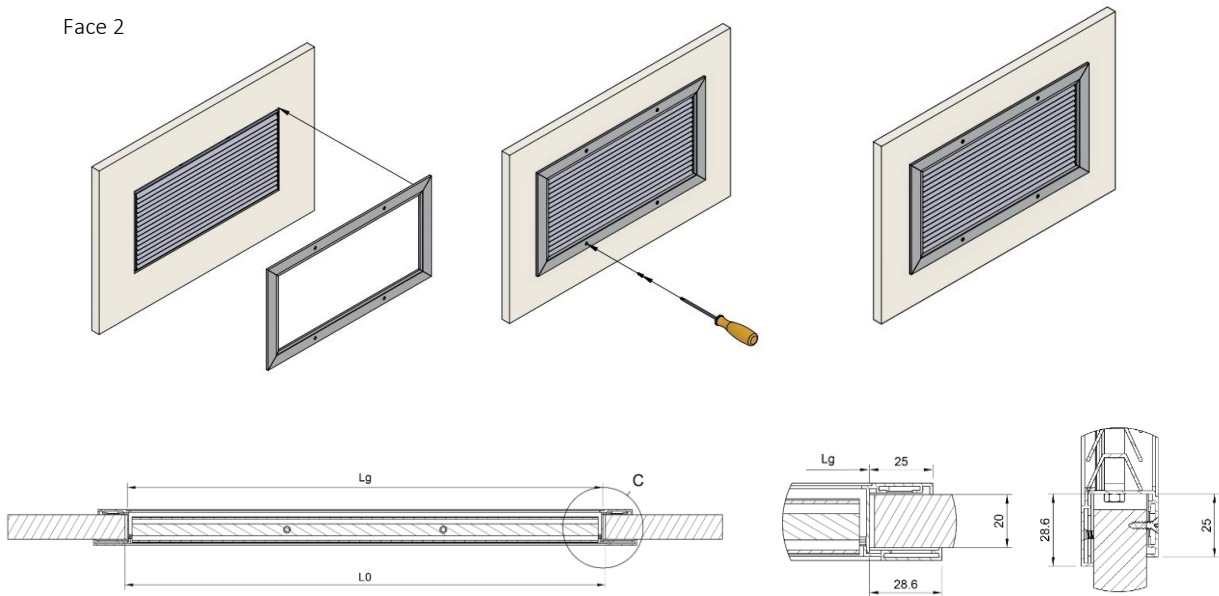
Installation

The product is fixed with mounting screws.

Face 1



Face 2



Order code

Example on how to place an order

Type	Dimensions	Finish
TG-S		
On request		
RAL 9016		
RAL..-	Other RAL colors on request	