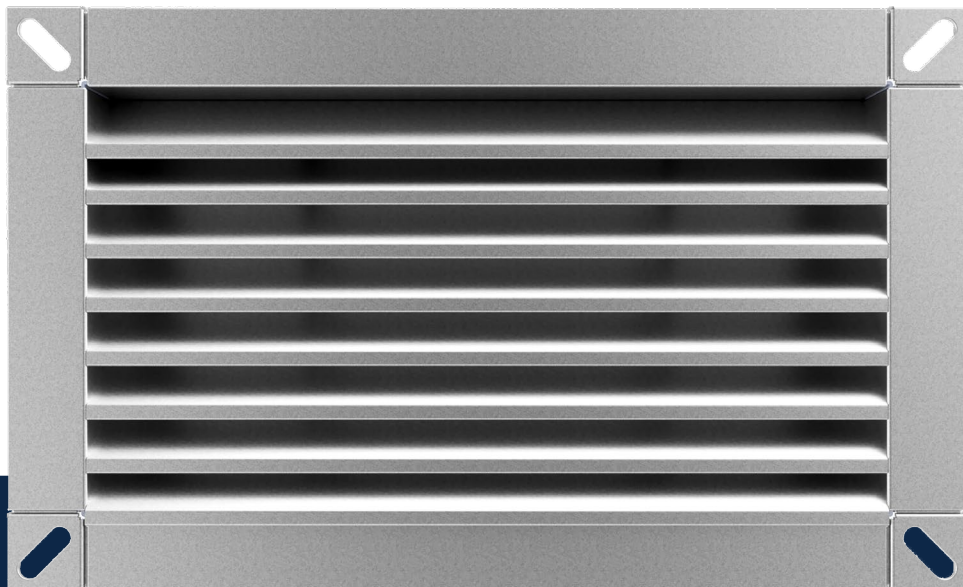


Air through perfection

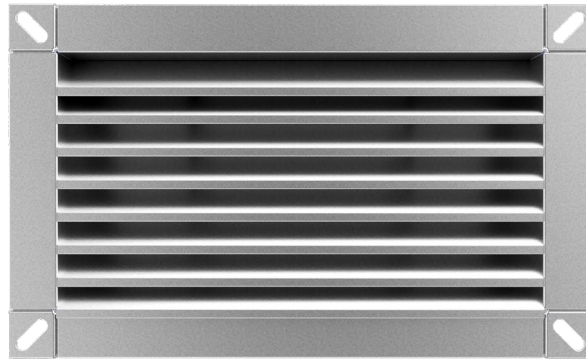
Return grille

SD-T



ACP
Smoke evacuation grilles

Return grille SD-T



Description

SD-T is a galvanized steel exhaust grille with fixed blades at 45° inclination.
The grille is used to evacuate or recirculate air.

Technical specifications

Characteristics

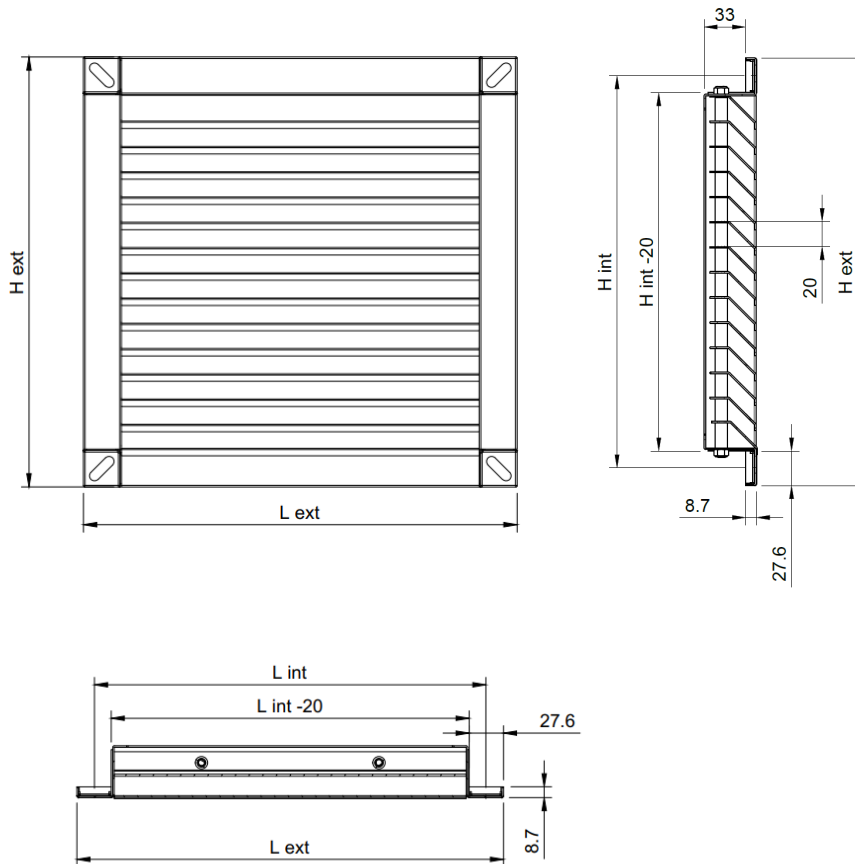
The grille is provided with fixed blades, positioned at 45°, parallel to the "L" (length).
The product is made standard with oval holes for fixing with screws.
Grilles with dimensions > 600 mm are made with an intermediate stiffening crossbeam.
The standard finish is natural galvanized steel.
Dimensional limits: minimum 100 x 100 and maximum 2000 x 2000 mm.

Materials

The grille is made of galvanized steel and has natural finishing.

On request, the product can be painted in electrostatic field in any shade from the RAL palette.

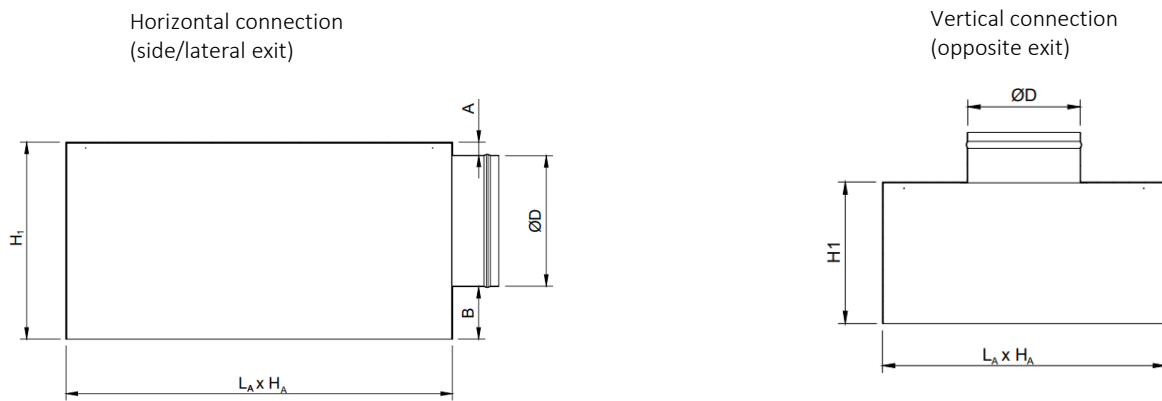
Technical drawing



Accessories

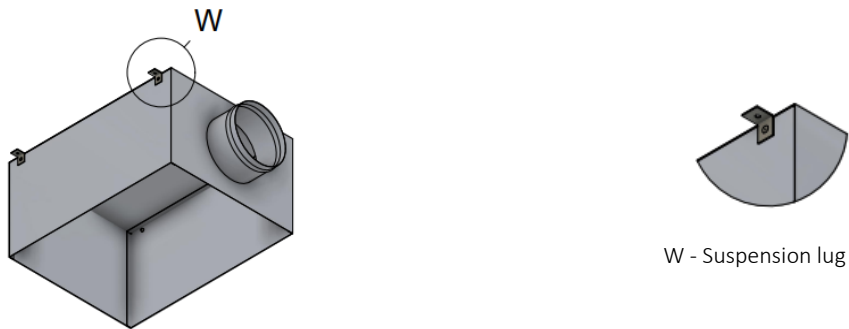
The grille can be delivered with a connecting plenum to the circular duct, with horizontal or vertical connection. The plenum is provided with suspension elements (lugs) and bead roll on the spigot, for easy fixing of the flexible duct.

Adapter (plenum box)



$L_A \times H_A$ – depending on L x H grille
 A, B, H_1 – depending on demand and $\varnothing D$

The adapter is made of Z140 galvanized steel sheet and is equipped with suspension lugs.



On request, the plenum can be insulated with 6 mm thick elastomeric rubber.



Functional parameters

Air flow (m ³ /h)	L x H Ak [m ²]	200 x 100	300 x 150	400 x 200	300 x 300	500 x 300	600 x 300	800 x 300	600 x 600	1000 x 600
		0.0076	0.0189	0.0345	0.0416	0.0721	0.0915	0.1173	0.1759	0.2934
60	Veff[m/s]	2.2								
	ΔPt [Pa]	5.0								
	NR [dB(A)]	22.0								
80	Veff[m/s]	2.9								
	ΔPt [Pa]	9.0								
	NR [dB(A)]	29.0								
100	Veff[m/s]	3.7								
	ΔPt [Pa]	14.0								
	NR [dB(A)]	35.0								
140	Veff[m/s]	5.1	2.1							
	ΔPt [Pa]	27.0	2.0							
	NR [dB(A)]	44.0	16.0							
180	Veff[m/s]	6.6	2.6							
	ΔPt [Pa]	45.0	3.0							
	NR [dB(A)]	51.0	22.0							
200	Veff[m/s]	7.3	2.9	1.6						
	ΔPt [Pa]	56.0	4.0	3.0						
	NR [dB(A)]	53.0	25.0	22.0						
300	Veff[m/s]		4.4	2.4	2.0					
	ΔPt [Pa]		9.0	6.0	2.0					
	NR [dB(A)]		36.0	32.0	22.0					
400	Veff[m/s]		5.9	3.2	2.7					
	ΔPt [Pa]		16.0	12.0	4.0					
	NR [dB(A)]		43.0	40.0	30.0					
500	Veff[m/s]		7.3	4.0	3.3	1.9				
	ΔPt [Pa]		25.0	18.0	7.0	2.0				
	NR [dB(A)]		49.0	46.0	36.0	24.0				
600	Veff[m/s]				4.0	2.3	1.8	1.4		
	ΔPt [Pa]				11.0	3.0	2.0	1.0		
	NR [dB(A)]				41.0	29.0	24.0	18.0		
800	Veff[m/s]				5.3	3.1	2.4	1.9		
	ΔPt [Pa]				19.0	6.0	4.0	2.0		
	NR [dB(A)]				48.0	36.0	32.0	26.0		
1000	Veff[m/s]				6.7	3.9	3.0	2.4	1.6	
	ΔPt [Pa]				30.0	10.0	6.0	4.0	1.0	
	NR [dB(A)]				54.0	42.0	38.0	32.0	21.0	
1400	Veff[m/s]					5.4	4.3	3.3	2.2	
	ΔPt [Pa]					20.0	13.0	7.0	2.0	
	NR [dB(A)]					51.0	46.0	40.0	29.0	
1800	Veff[m/s]						5.5	4.3	2.8	
	ΔPt [Pa]						22.0	12.0	4.0	
	NR [dB(A)]						53.0	47.0	36.0	
2000	Veff[m/s]							4.7	3.2	
	ΔPt [Pa]							15.0	5.0	
	NR [dB(A)]							50.0	39.0	
3000	Veff[m/s]								4.7	2.8
	ΔPt [Pa]								13.0	1.0
	NR [dB(A)]								49.0	22.0
4000	Veff[m/s]									3.8
	ΔPt [Pa]									1.0
	NR [dB(A)]									30.0

The legend

Ak [m²] - The free surface

Veff [m/s] - The effective air speed in the grille

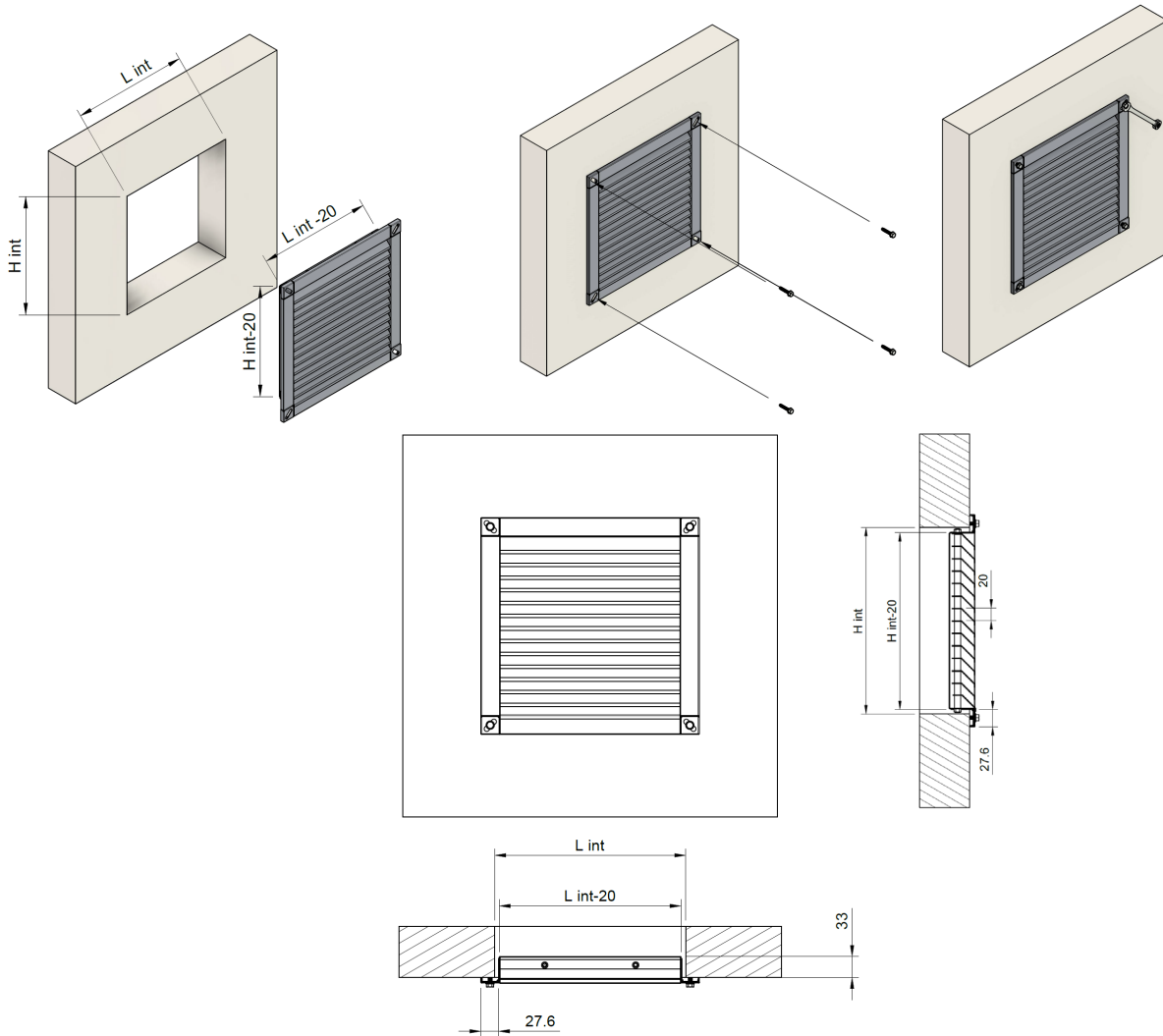
ΔPt [Pa] - Pressure loss

NR [dB (A)] - Noise level without room attenuation

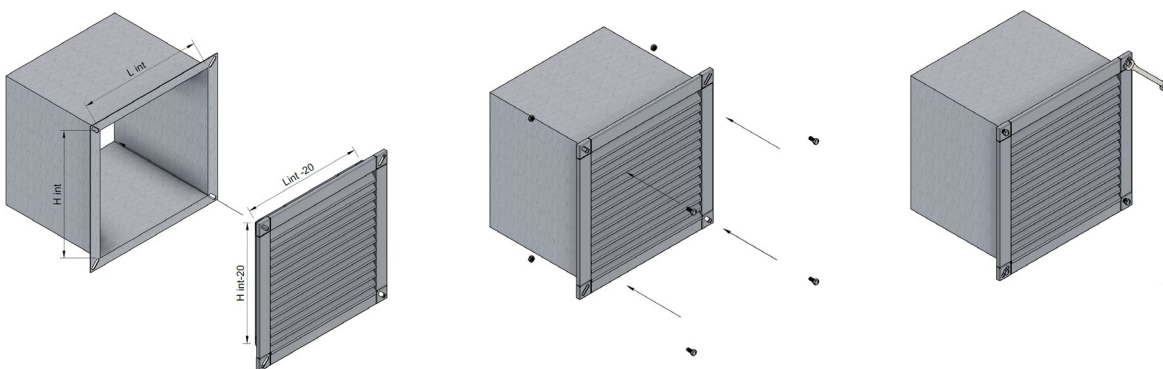
Installation

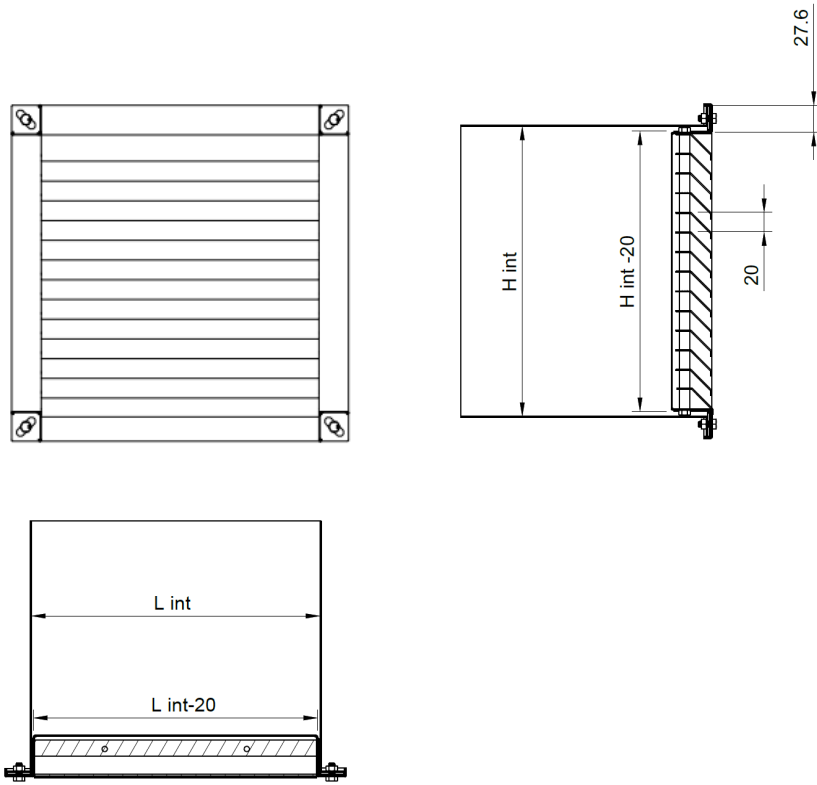
The mounting/fixing of the grille is done with screws.

Wall/ceiling mounting



Rectangular duct mounting





Order code

Example on how to place an order

Type	Dimensions	Accessories	Finish
SD-T			
On request			
AIZ - Insulated adapter			
AN - Uninsulated adapter			
Natural (galvanized steel)			
RAL..- Other RAL colors on request			