

Air through perfection

Return grille with
access and filter

SD-D



ACP
Access grilles

Return grille with access and filter SD-D



Description

The simple deflection grille with access door has fixed blades, positioned at 45° and G4 air filter. SD-D is used for evacuation of air and is intended for wall or false ceiling mounting.

Technical specifications

Characteristics

The grille is equipped with fixed blades, parallel to the "L" (length), access door and G4 air filter.

The opening system is click type (opening/closing by pressing) which facilitates access.

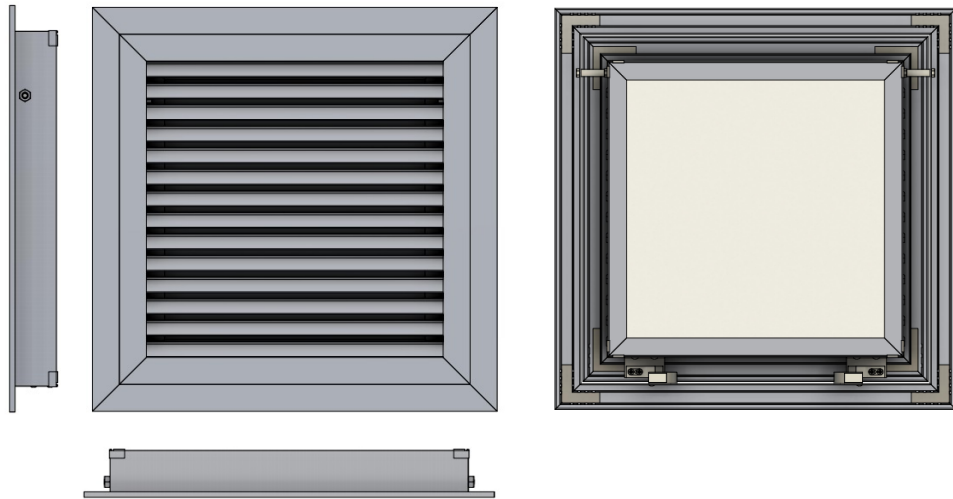
The grille is produced as standard without mounting holes. Optionally, mounting holes can be requested on the visible grille frame.

Materials

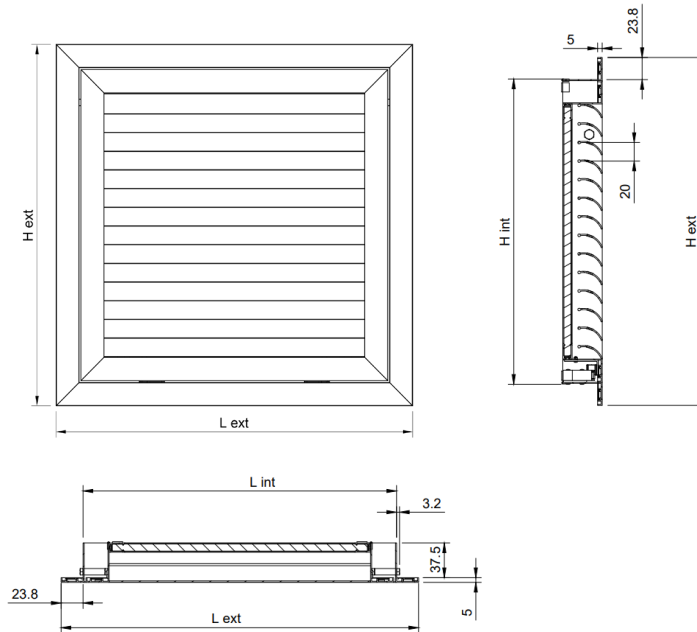
The grille is made of extruded aluminum electrostatic field painted in glossy white RAL 9016.

On request, the grille can be made of natural anodized aluminum profiles or can be painted in other RAL colours.

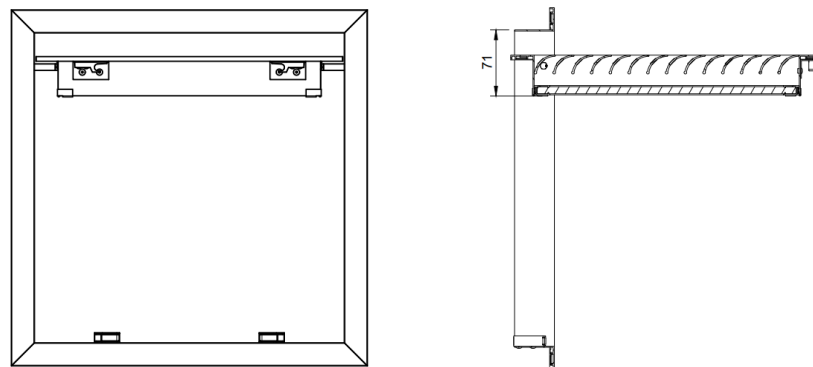
Technical drawing



Grille in closed position



Grille in open position



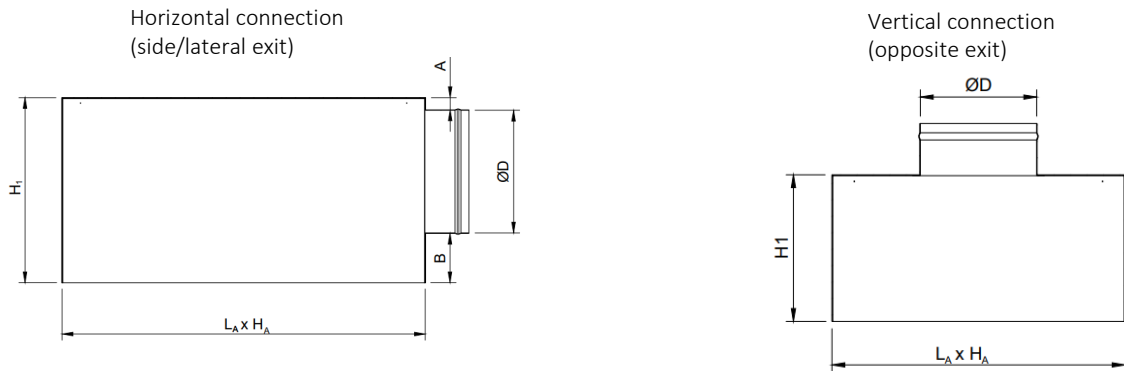
Accessories

The grille can be delivered with a connecting plenum to the circular duct, with horizontal or vertical connection.

The plenum is provided with suspension elements (lugs) and bead roll on the spigot, for easy fixing of the flexible duct.

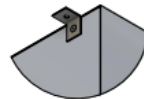
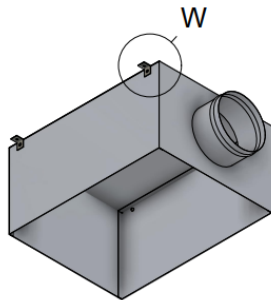
On request, the product can be delivered with a washable FL-R filter.

Adapter (plenum box)



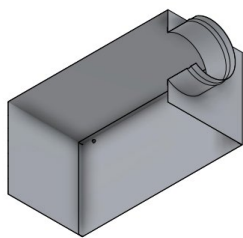
$L_A \times H_A = L_{int} \times H_{int} \text{ grille} + 5 \text{ mm}$
 A, B, H1 - depending on demand and $\varnothing D$

The adapter is made of Z140 galvanized sheet metal and is equipped with lugs for mounting.

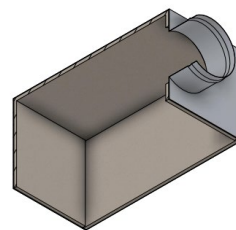


W - Suspension lug

The plenum is available in two options, uninsulated or insulated with 6 mm thick elastomeric rubber.



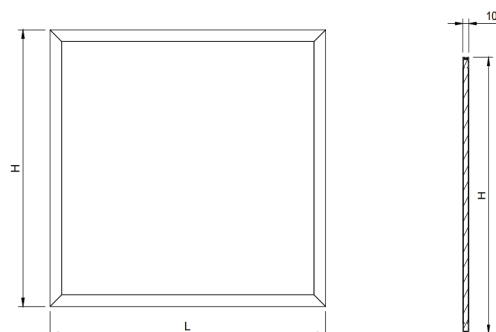
AN - Uninsulated adapter



AIZ - Insulated adapter

Washable air filter (FL-R)

Washable air filter with aluminum frame, used for air filtration and mounting on the grille connection.



Functional parameters

| Air flow (m ³ /h) | L x H Ak [m ²] | 200 x 200 | 300 x 250 | 400 x 300 | 450 x 300 | 500 x 400 | 600 x 400 | 800 x 400 | 700 x 600 | 1000 x 700 |
|---------------------------------|-------------------------------|-----------|-----------|-----------|-----------|-----------|-----------|-----------|-----------|------------|
| | | 0.0076 | 0.0189 | 0.0345 | 0.0416 | 0.0721 | 0.0915 | 0.1173 | 0.1759 | 0.2934 |
| 60 | Veff[m/s] | 2.2 | | | | | | | | |
| | ΔPt [Pa] | 5.0 | | | | | | | | |
| | NR [dB(A)] | 22.0 | | | | | | | | |
| 80 | Veff[m/s] | 2.9 | | | | | | | | |
| | ΔPt [Pa] | 9.0 | | | | | | | | |
| | NR [dB(A)] | 29.0 | | | | | | | | |
| 100 | Veff[m/s] | 3.7 | | | | | | | | |
| | ΔPt [Pa] | 14.0 | | | | | | | | |
| | NR [dB(A)] | 35.0 | | | | | | | | |
| 140 | Veff[m/s] | 5.1 | 2.1 | | | | | | | |
| | ΔPt [Pa] | 27.0 | 2.0 | | | | | | | |
| | NR [dB(A)] | 44.0 | 16.0 | | | | | | | |
| 180 | Veff[m/s] | 6.6 | 2.6 | | | | | | | |
| | ΔPt [Pa] | 45.0 | 3.0 | | | | | | | |
| | NR [dB(A)] | 51.0 | 22.0 | | | | | | | |
| 200 | Veff[m/s] | 7.3 | 2.9 | 1.6 | | | | | | |
| | ΔPt [Pa] | 56.0 | 4.0 | 3.0 | | | | | | |
| | NR [dB(A)] | 53.0 | 25.0 | 22.0 | | | | | | |
| 300 | Veff[m/s] | | 4.4 | 2.4 | 2.0 | | | | | |
| | ΔPt [Pa] | | 9.0 | 6.0 | 2.0 | | | | | |
| | NR [dB(A)] | | 36.0 | 32.0 | 22.0 | | | | | |
| 400 | Veff[m/s] | | 5.9 | 3.2 | 2.7 | | | | | |
| | ΔPt [Pa] | | 16.0 | 12.0 | 4.0 | | | | | |
| | NR [dB(A)] | | 43.0 | 40.0 | 30.0 | | | | | |
| 500 | Veff[m/s] | | 7.3 | 4.0 | 3.3 | 1.9 | | | | |
| | ΔPt [Pa] | | 25.0 | 18.0 | 7.0 | 2.0 | | | | |
| | NR [dB(A)] | | 49.0 | 46.0 | 36.0 | 24.0 | | | | |
| 600 | Veff[m/s] | | | | 4.0 | 2.3 | 1.8 | 1.4 | | |
| | ΔPt [Pa] | | | | 11.0 | 3.0 | 2.0 | 1.0 | | |
| | NR [dB(A)] | | | | 41.0 | 29.0 | 24.0 | 18.0 | | |
| 800 | Veff[m/s] | | | | 5.3 | 3.1 | 2.4 | 1.9 | | |
| | ΔPt [Pa] | | | | 19.0 | 6.0 | 4.0 | 2.0 | | |
| | NR [dB(A)] | | | | 48.0 | 36.0 | 32.0 | 26.0 | | |
| 1000 | Veff[m/s] | | | | 6.7 | 3.9 | 3.0 | 2.4 | 1.6 | |
| | ΔPt [Pa] | | | | 30.0 | 10.0 | 6.0 | 4.0 | 1.0 | |
| | NR [dB(A)] | | | | 54.0 | 42.0 | 38.0 | 32.0 | 21.0 | |
| 1400 | Veff[m/s] | | | | | 5.4 | 4.3 | 3.3 | 2.2 | |
| | ΔPt [Pa] | | | | | 20.0 | 13.0 | 7.0 | 2.0 | |
| | NR [dB(A)] | | | | | 51.0 | 46.0 | 40.0 | 29.0 | |
| 1800 | Veff[m/s] | | | | | | 5.5 | 4.3 | 2.8 | |
| | ΔPt [Pa] | | | | | | 22.0 | 12.0 | 4.0 | |
| | NR [dB(A)] | | | | | | 53.0 | 47.0 | 36.0 | |
| 2000 | Veff[m/s] | | | | | | | 4.7 | 3.2 | |
| | ΔPt [Pa] | | | | | | | 15.0 | 5.0 | |
| | NR [dB(A)] | | | | | | | 50.0 | 39.0 | |
| 3000 | Veff[m/s] | | | | | | | | 4.7 | 2.8 |
| | ΔPt [Pa] | | | | | | | | 13.0 | 1.0 |
| | NR [dB(A)] | | | | | | | | 49.0 | 22.0 |
| 4000 | Veff[m/s] | | | | | | | | | 3.8 |
| | ΔPt [Pa] | | | | | | | | | 1.0 |
| | NR [dB(A)] | | | | | | | | | 30.0 |

The legend

Ak [m²] - The free surface

Veff [m/s] – Air velocity in the grille

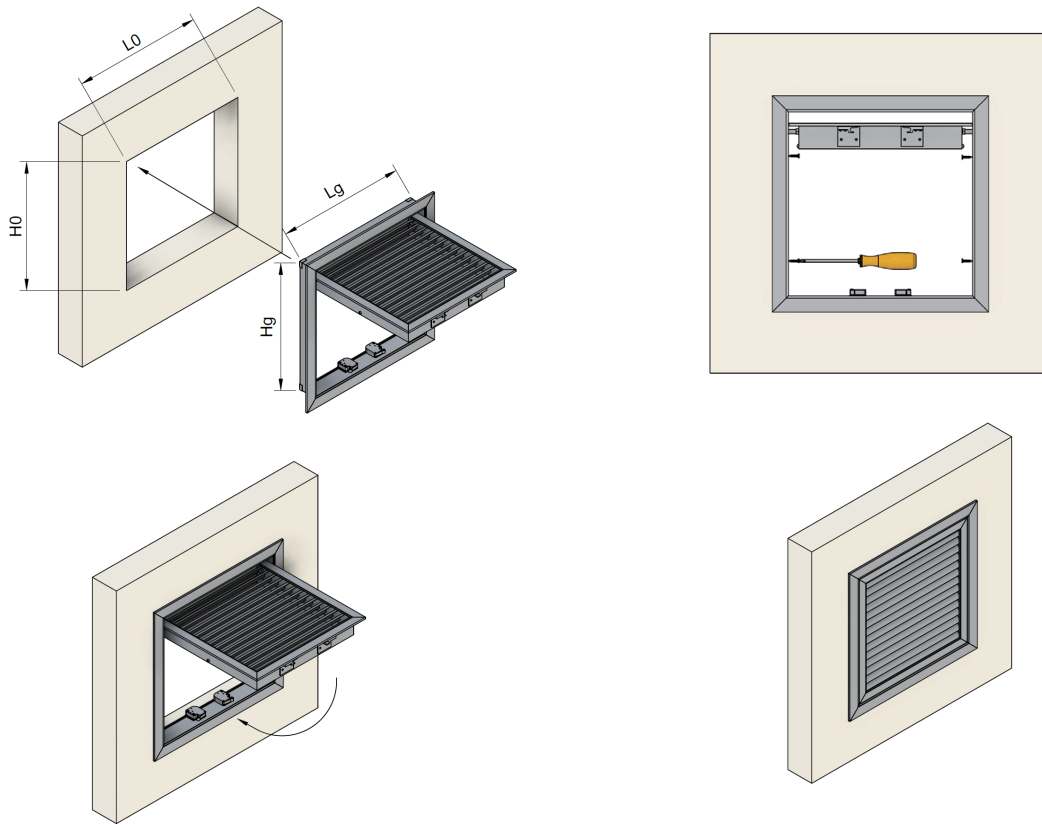
ΔPt [Pa] - Pressure loss

NR [dB (A)] - Noise level without room attenuation

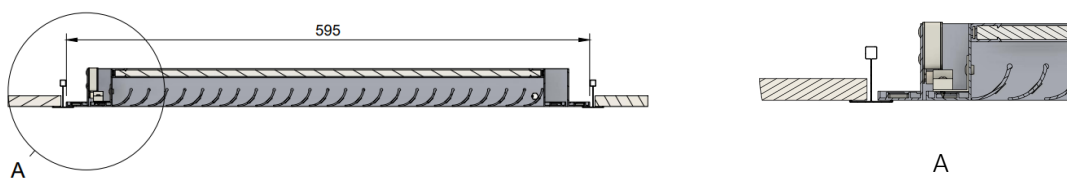
Installation

The grille can be mounted on the wall or in the false ceiling.

Installation in wall or continuous ceiling



Installation in T-bar suspended ceiling



Order code

Example on how to place an order

| Type | Dimensions | Accessories | Finish |
|--|------------|-------------|--------|
| SD-D | | | |
| On request | | | |
| FL-R - Washable air filter | | | |
| AIZ - Insulated adaptor | | | |
| AN - Uninsulated adaptor | | | |
| RAL9016 | | | |
| RAL.. - Other RAL colors on request | | | |
| EL - Natural anodized | | | |