

Air through perfection

Round non-return damper

RS-G



ACP
Airflow regulation dampers

Round non-return damper RS-G



Description

RS-G is a circular non-return (backdraft) damper, used between circular duct sections and allowing a single direction of air flow.

The RS-G damper is designed for ventilation duct systems that require a class D seal according to EN 12237.

The circular non-return damper is mounted between the ventilation ducts and allows a single direction of air flow.

This damper is often installed upstream of an introduction or evacuation of air unit to prevent the air backflow.

Technical specifications

Characteristics

The damper blades open when overpressure/airflow acts on them.

The damper is provided with a sealing gasket, butterfly blades and a return spring that closes the blades when the pressure drops.

Closing the blades prevents the return of air to the duct.

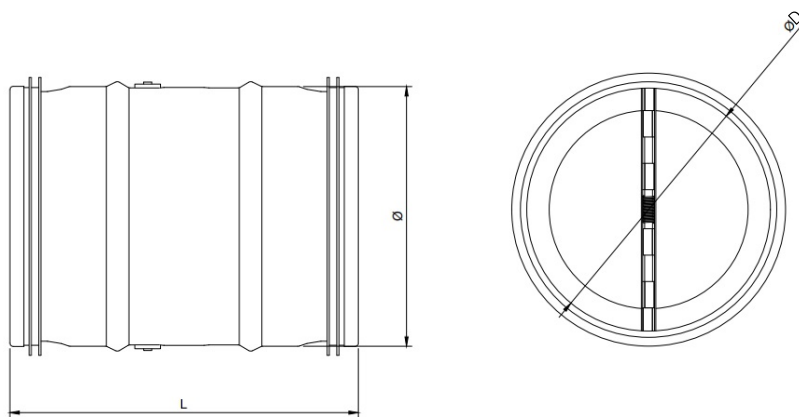
The damper closure has an approximate class 2 tightness according to EN1751: 2002.

Dimensional range: Ø100, Ø125, Ø150, Ø160, Ø200, Ø250, Ø300, Ø315, Ø355, Ø400, Ø450, Ø500.

Materials

The cylinder is made of galvanized steel sheet. The blades are made of aluminum sheet.

Technical drawing



ØD [mm]	L [mm]
100	130
125	130
150	130
160	130
200	130
250	190
300	190
315	190
355	270
400	270
450	270
500	270

Functional parameters

Air flow [m ³ /h]	Ø [mm]	100	125	160	200	250	315
75	ΔPt [Pa]	55					
100	ΔPt [Pa]	53	26				
125	ΔPt [Pa]	65	32	14			
200	ΔPt [Pa]	85	35	18			
250	ΔPt [Pa]	98	37	15	15		
300	ΔPt [Pa]	140	43	18	18		
400	ΔPt [Pa]	200	58	23	21	21	
500	ΔPt [Pa]	248	71	24	23	23	
625	ΔPt [Pa]		95	27	23	23	
750	ΔPt [Pa]			32	26	24	23
875	ΔPt [Pa]			40	28	24.5	24
1000	ΔPt [Pa]			54	32	25	25
1125	ΔPt [Pa]			65	37	25	25
1250	ΔPt [Pa]				41	25.5	25
1375	ΔPt [Pa]				47	25.5	25
1500	ΔPt [Pa]				51	25.5	25
1625	ΔPt [Pa]					25.5	25
1750	ΔPt [Pa]					26	25
1875	ΔPt [Pa]					25.5	25
2000	ΔPt [Pa]					25.5	24.5
2125	ΔPt [Pa]					25.5	24
2250	ΔPt [Pa]					26	23
2375	ΔPt [Pa]						22
2500	ΔPt [Pa]						21
2750	ΔPt [Pa]						21
3000	ΔPt [Pa]						22
3250	ΔPt [Pa]						24
3500	ΔPt [Pa]						25
3750	ΔPt [Pa]						30

The legend

ΔPt [Pa] - Pressure loss

Order code

Example on how to place an order

Type	Dimensions
RS-G	Ø100 ... Ø500 mm