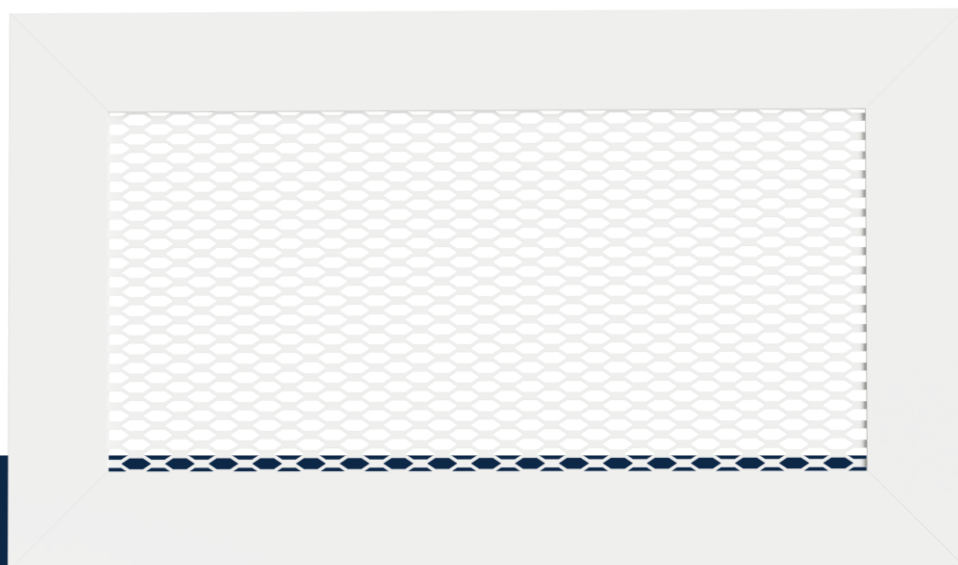


Air through perfection

Expanded mesh grille

RP-R



ACP
Grilles

Expanded mesh grille RP-R



Description

RP-R is an expanded metal sheet frame used in ventilation and air conditioning systems for air transfer or masking.
Can be applied to wall, ceiling or rectangular duct.

Technical specifications

Characteristics

The expanded metal sheet has 12x5 mm hexagonal mesh.

The product is manufactured with holes for screw mounting.

RP-R has a terminal connection and can be accessorized with mounting frame and plenum.

The maximum construction dimension of the product is 2000 x 1000 mm.

The product is delivered with fixing screws.

Materials

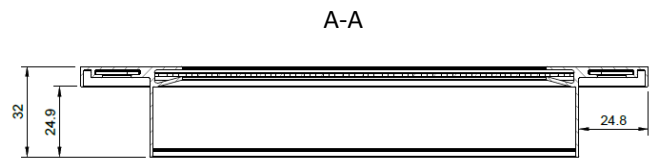
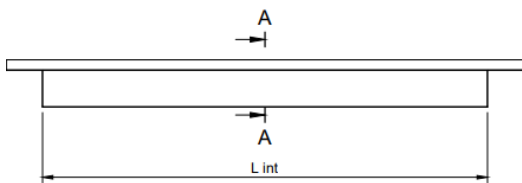
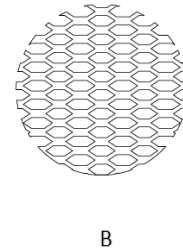
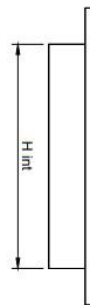
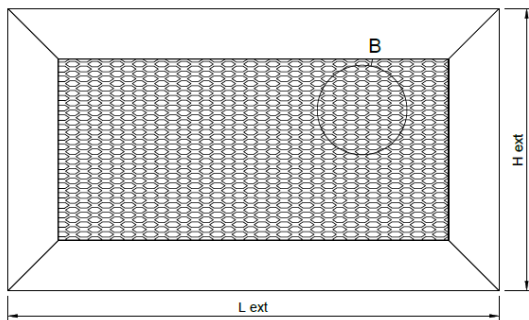
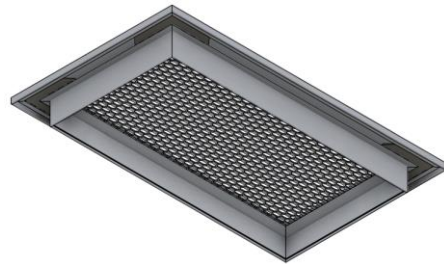
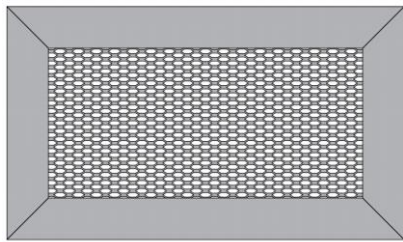
The materials used are extruded aluminum frame and expanded galvanized steel sheet.

The expanded sheet complies with the standards for thermal galvanizing ISO 1461/2002.

The product is electrostatic field painted in glossy white RAL9016.

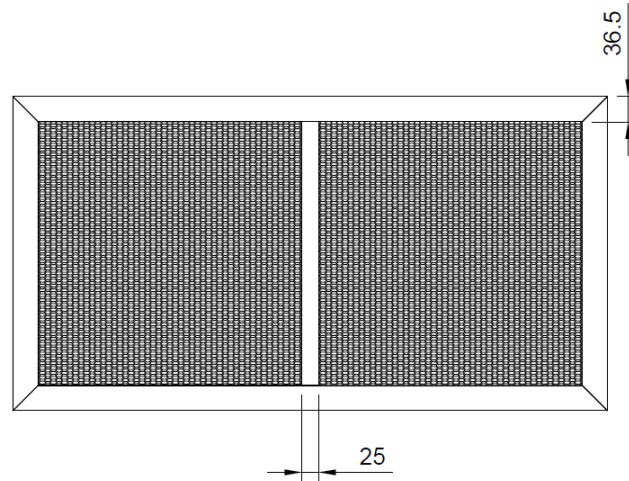
Other RAL colours are available on request.

Technical drawing

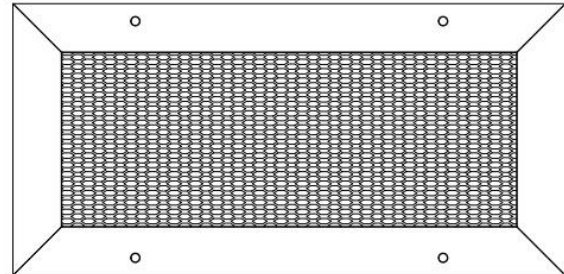
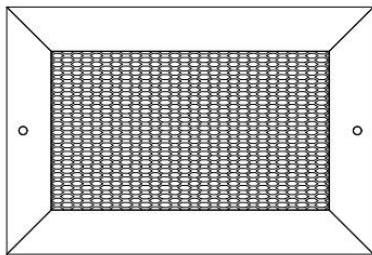


Product specifications

Products with dimensions > 1000 mm are made with stiffening elements.



The grille is made standard with mounting holes positioned on the product frame. The number of holes and their position are made according to the size of the product.



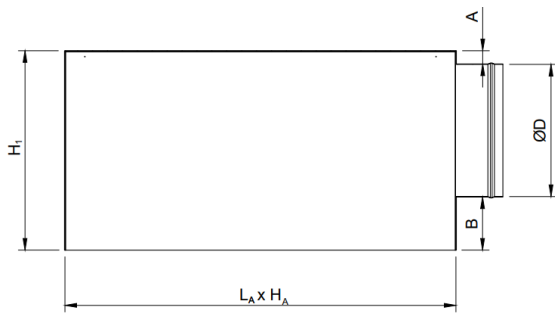
L x H int [mm]	Number of holes																			
	100	200	300	400	500	600	700	800	900	1000	1100	1200	1300	1400	1500	1600	1700	1800	1900	2000
100	2	2	2	2	2	4	4	4	4	4	4	4	6	6	6	6	6	6	8	8
200	2	2	2	2	2	4	4	4	4	4	4	4	6	6	6	6	6	6	8	8
300	4	4	4	4	4	4	4	4	4	4	4	4	6	6	6	6	6	6	8	8
400	4	4	4	4	4	4	4	4	4	4	4	4	6	6	6	6	6	6	8	8
500	4	4	4	4	4	4	4	4	4	4	4	4	6	6	6	6	6	6	8	8
600	4	4	4	4	4	4	4	4	4	4	4	4	6	6	6	6	6	6	8	8
700	4	4	4	4	4	4	4	4	4	4	4	4	6	6	6	6	6	6	10	10
800	4	4	4	4	4	4	4	4	4	4	4	4	6	6	6	6	6	6	10	10
900	4	4	4	4	4	4	4	4	6	6	6	6	8	8	8	8	8	8	10	10
1000	4	4	4	4	4	4	4	4	6	6	6	6	8	8	8	8	8	8	10	10

Accessories

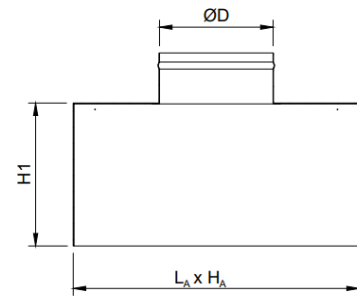
The product can be delivered with a connecting plenum to the circular duct, with horizontal or vertical connection.
 The plenum is provided with suspension elements (lugs) and bead roll on the spigot, for easy fixing of the flexible duct.
 The product can be delivered with a mounting frame.

Adapter (plenum box)

Horizontal connection
(side/lateral exit)



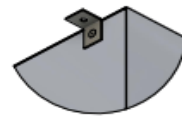
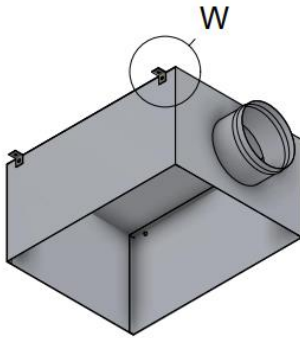
Vertical connection
(opposite exit)



* For fixing with screws: $L_A \times H_A = L_{int} \times H_{int} \text{ grille} + 5 \text{ mm}$

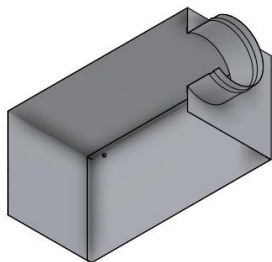
* For fixing with mounting frame: $L_A \times H_A = L_c \times H_c \text{ mounting frame} + 3 \text{ mm}$
 A, B, H1 – depending on demand and $\varnothing D$

The adapter is made of Z140 galvanized steel sheet and is equipped with suspension lugs.

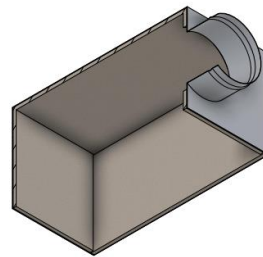


W - Suspension lug

On request, the plenum can be insulated with 6 mm thick elastomeric rubber.



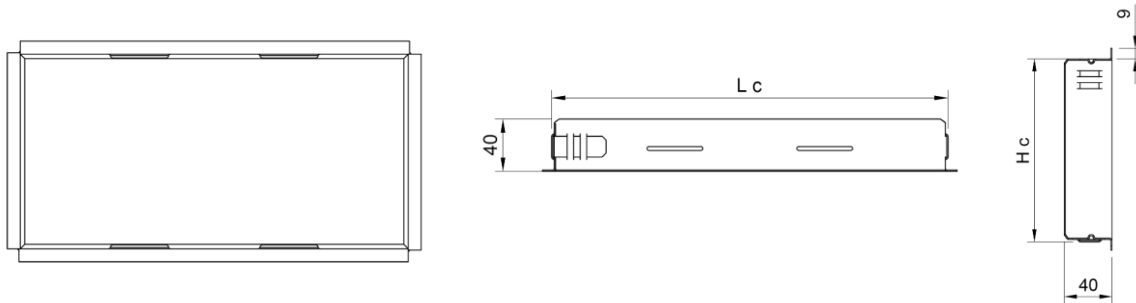
AN - Uninsulated adapter



AIZ - Insulated adapter

Mounting frame (CC)

The mounting frame is used when a hidden, easy and fast mounting of the grille is desired. Depending on the size required, it is made and delivered in one or more pieces.

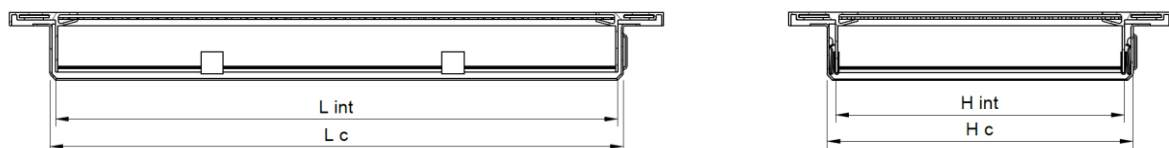


L x H [mm]	Mounting frame													
	100	200	300	400	500	600	700	800	900	1000	1100	1200	1400	1500
85	1	1	1	1	1	1	1	1	1	1	1	2	2	2
100	1	1	1	1	1	1	1	1	1	1	1	2	2	2
150	-	1	1	1	1	1	1	1	1	1	1	2	2	2
200	-	1	1	1	1	1	1	1	1	1	1	2	2	2
300	-	-	1	1	1	1	1	1	1	1	1	2	2	2
400	-	-	-	1	1	1	1	1	1	1	1	2	2	2
500	-	-	-	-	1	1	1	1	1	1	1	2	2	2
600	-	-	-	-	-	1	1	1	1	1	1	2	2	2

For installation with mounting frame, the grille is equipped with clips that allow quick and easy clamping. The number of clips with which the grille is equipped depends on the size of the product.

L x H int [mm]	Number of mounting clips										
	100	200	300	400	500	600	700	800	900	1000	
100	2	2	4	4	4	4	4	4	4	4	
200	2	2	4	4	4	4	4	4	4	4	
300	4	4	4	4	4	4	4	4	4	4	
400	4	4	4	4	4	4	4	4	4	4	
500	4	4	4	4	4	4	4	4	4	6	
600	4	4	4	4	4	4	4	4	4	6	
700	4	4	4	4	4	4	4	4	8	8	
800	4	4	4	4	4	4	4	6	8	8	
900	4	4	4	4	4	4	8	8	12	12	
1000	4	4	4	4	6	6	8	8	12	12	

Example : RP-R + CC



$$Lc \times Hc = Lint \times Hint \text{ grille} + 18 \text{ mm}$$

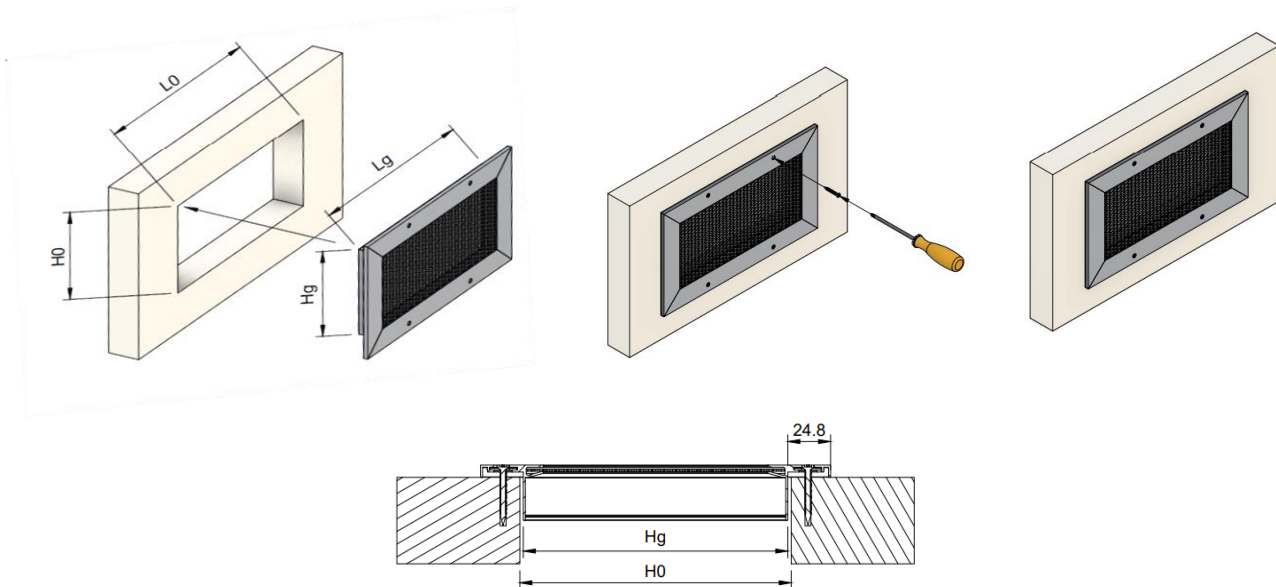
Functional parameters

L x H int [mm]	Discharge area Ak [m ²]									
	100	200	300	400	500	600	700	800	900	1000
100	0.0055	0.0110	0.0165	0.0220	0.0275	0.0330	0.0385	0.0440	0.0495	0.0550
200	0.0110	0.0220	0.0330	0.0440	0.0550	0.0660	0.0770	0.0880	0.0990	0.1100
300	0.0165	0.0330	0.0495	0.0660	0.0825	0.0990	0.1155	0.1320	0.1485	0.1650
400	0.0220	0.0440	0.0660	0.0880	0.1100	0.1320	0.1540	0.1760	0.1980	0.2200
500	0.0275	0.0550	0.0825	0.1100	0.1375	0.1650	0.1925	0.2200	0.2475	0.2750
600	0.0330	0.0660	0.0990	0.1320	0.1650	0.1980	0.2310	0.2640	0.2970	0.3300
700	0.0385	0.0770	0.1155	0.1540	0.1925	0.2310	0.2695	0.3080	0.3465	0.3850
800	0.0440	0.0880	0.1320	0.1760	0.2200	0.2640	0.3080	0.3520	0.3960	0.4400
900	0.0495	0.0990	0.1485	0.1980	0.2475	0.2970	0.3465	0.3960	0.4455	0.4950
1000	0.0550	0.1100	0.1650	0.2200	0.2750	0.3300	0.3850	0.4400	0.4950	0.5500

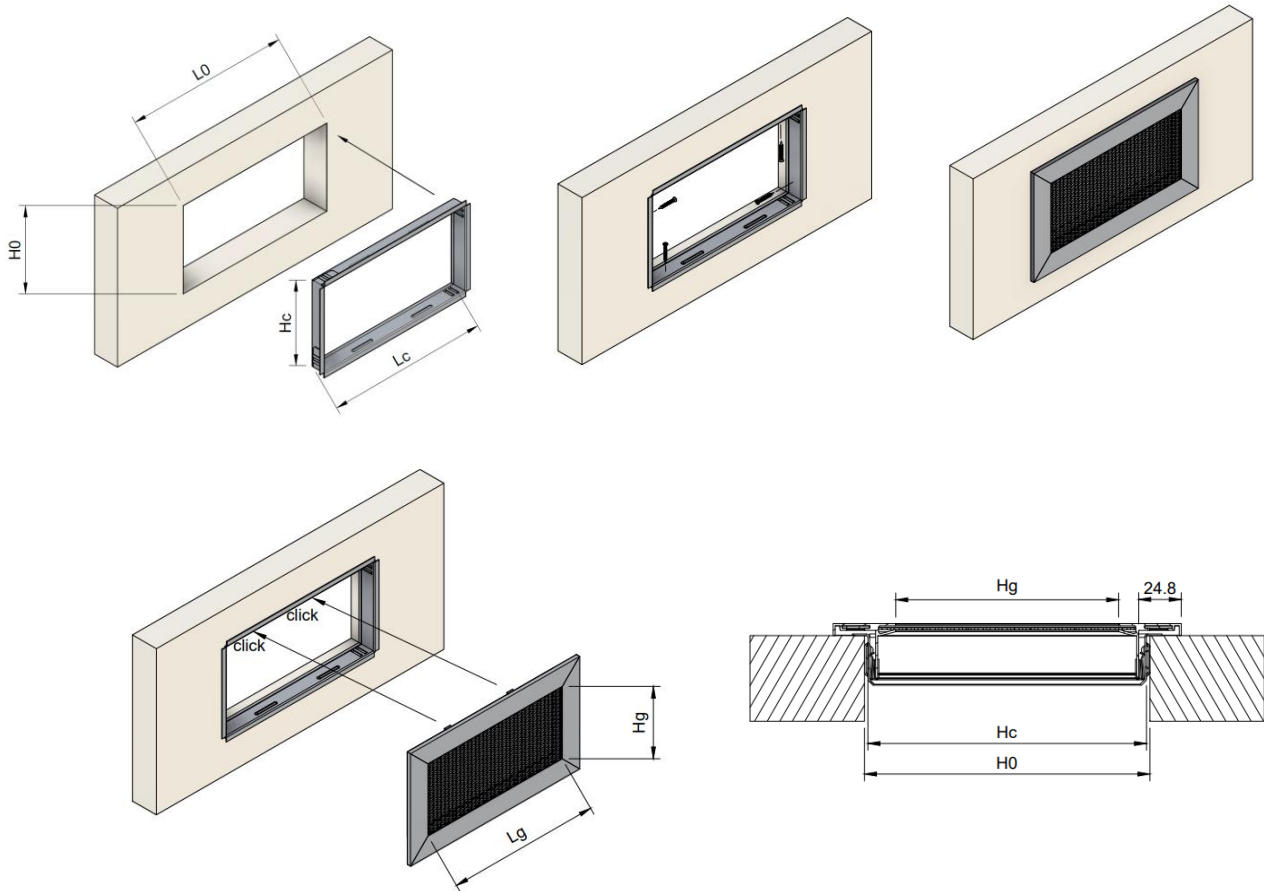
Installation

The product can be mounted on a ceiling, wall or rectangular duct.

Installation in wall/ceiling with screws



Installation in wall/ceiling with mounting frame



Order code

Example on how to place an order

Type	Dimensions	Accessories	Mounting	Finish
RP-R				
On request				
AIZ - Insulated adapter				
AN - Uninsulated adapter				
Screws (standard)				
CC - Mounting frame (optional)				
RAL9016				
RAL.. - Other RAL colors on request				