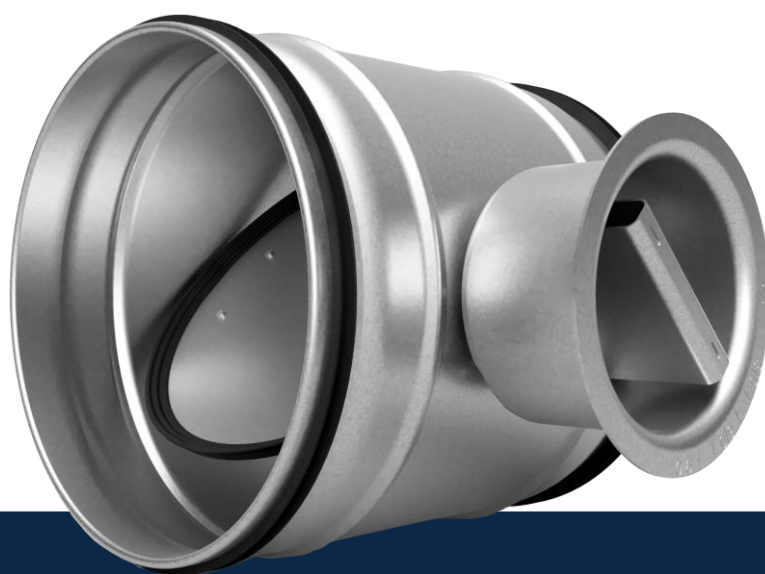


Air through perfection

# Shut-off damper

## RD-G



**ACP**  
Airflow regulation dampers

## Shut-off damper RD-G



### Description

RD-G is a circular control damper with manual operation and sealing gasket.

The circular damper is used to regulate the air flow on the branches of ventilation and air conditioning systems.

### Technical specifications

#### Characteristics

The adjusting damper is equipped with an inner blade, an operating mechanism and a locking screw.

The position of the blade is visible on the drive/adjustment system, from 0 to 90 degrees.

The damper is equipped with a sealing gasket at both ends and on the inner blade.

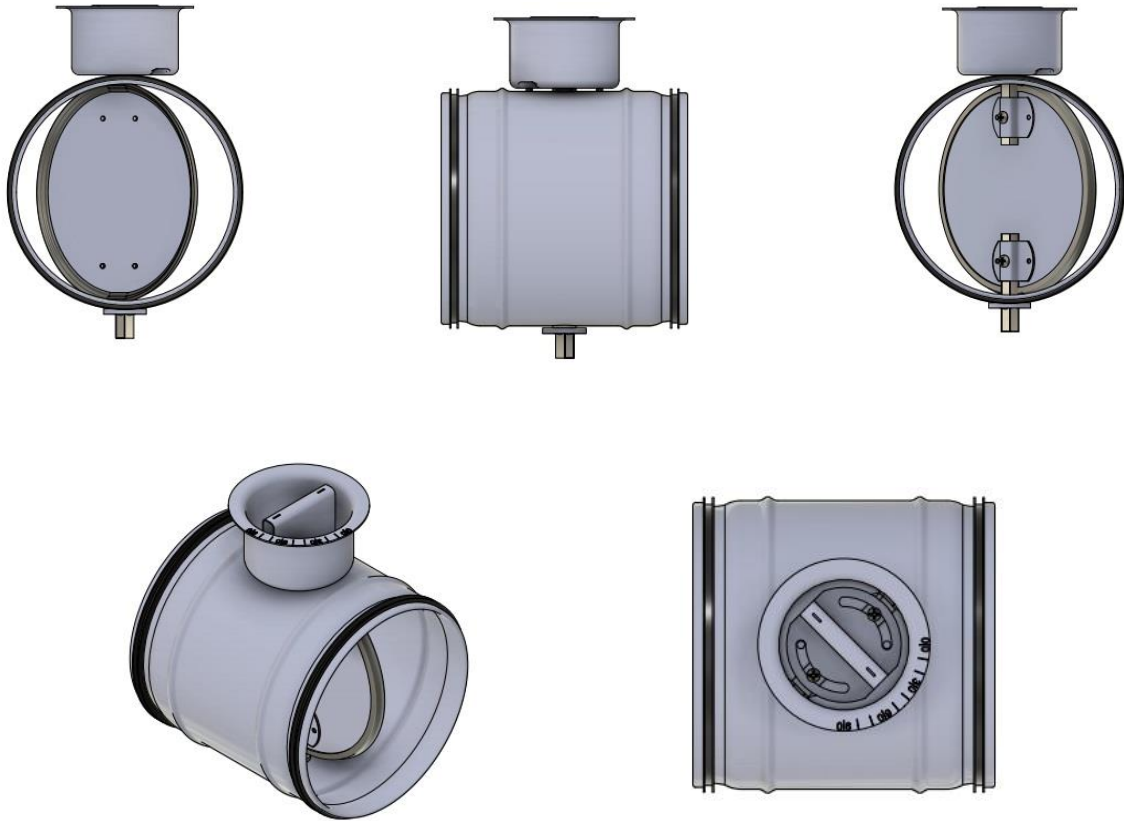
It is easy to operate the damper and it is done manually.

Dimensional range:  $\varnothing 100$ ,  $\varnothing 125$ ,  $\varnothing 150$ ,  $\varnothing 160$ ,  $\varnothing 200$ ,  $\varnothing 250$ ,  $\varnothing 300$ ,  $\varnothing 315$ ,  $\varnothing 355$ ,  $\varnothing 400$ ,  $\varnothing 450$ ,  $\varnothing 500$ ,  $\varnothing 560$ ,  $\varnothing 600$ ,  $\varnothing 630$ .

Materials

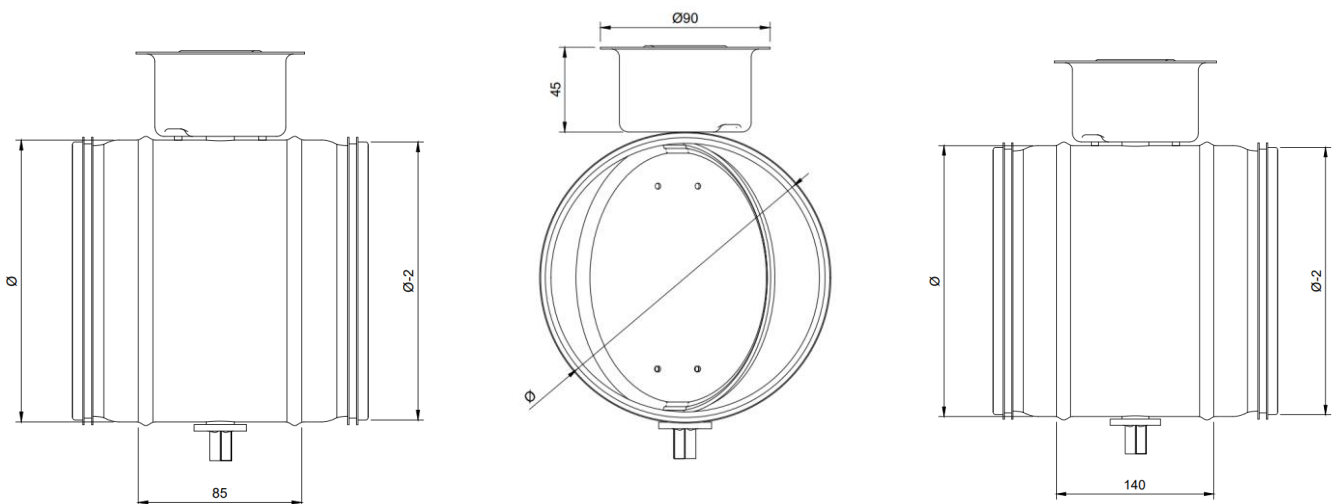
The product is made of galvanized steel sheet (housing, mechanism and blade) and rubber gasket.

Technical drawing



$\varnothing < 355 \text{ mm}$

$\varnothing \geq 355 \text{ mm}$



## Functional parameters

| Ø<br>[mm] | Air flow<br>[m <sup>3</sup> /h] | Veff<br>[m/s] | α = 15°  |            | α = 30°  |            | α = 45°  |            | α = 60°  |            |
|-----------|---------------------------------|---------------|----------|------------|----------|------------|----------|------------|----------|------------|
|           |                                 |               | ΔPt [Pa] | NR [db(A)] | ΔPt [Pa] | NR [db(A)] | ΔPt [Pa] | NR [db(A)] | ΔPt [Pa] | NR [db(A)] |
| 100       | 53                              | 2             | 3        | 6          | 8        | 14         | 36       | 25         | 194      | 41         |
|           | 105                             | 4             | 12       | 25         | 34       | 33         | 145      | 44         | 774      | 59         |
|           | 158                             | 6             | 26       | 36         | 76       | 39         | 327      | 55         | 1742     | 62         |
|           | 211                             | 8             | 46       | 43         | 136      | 52         | 581      | 63         | 3098     | 78         |
|           | 263                             | 10            | 73       | 49         | 212      | 58         | 908      | 69         | 4840     | 84         |
|           | 316                             | 12            | 105      | 54         | 305      | 63         | 1307     | 73         | 6970     | 88         |
| 125       | 83                              | 2             | 3        | 7          | 8        | 16         | 36       | 27         | 194      | 42         |
|           | 167                             | 4             | 12       | 26         | 34       | 35         | 145      | 46         | 774      | 61         |
|           | 250                             | 6             | 26       | 37         | 76       | 46         | 327      | 57         | 1742     | 72         |
|           | 334                             | 8             | 46       | 45         | 136      | 46         | 581      | 64         | 3098     | 72         |
|           | 417                             | 10            | 73       | 51         | 212      | 60         | 908      | 71         | 4840     | 85         |
|           | 501                             | 12            | 105      | 56         | 305      | 65         | 1307     | 75         | 6970     | 90         |
| 160       | 139                             | 2             | 3        | 9          | 8        | 18         | 36       | 29         | 194      | 44         |
|           | 277                             | 4             | 12       | 28         | 34       | 37         | 145      | 48         | 774      | 63         |
|           | 416                             | 6             | 26       | 39         | 76       | 48         | 327      | 59         | 1742     | 74         |
|           | 554                             | 8             | 46       | 47         | 136      | 56         | 581      | 66         | 3098     | 82         |
|           | 693                             | 10            | 73       | 53         | 212      | 62         | 908      | 72         | 4840     | 88         |
|           | 831                             | 12            | 105      | 58         | 305      | 67         | 1307     | 77         | 6970     | 92         |
| 200       | 218                             | 2             | 3        | 11         | 8        | 19         | 36       | 31         | 194      | 46         |
|           | 436                             | 4             | 12       | 30         | 34       | 38         | 145      | 50         | 774      | 65         |
|           | 654                             | 6             | 26       | 41         | 76       | 50         | 327      | 60         | 1742     | 76         |
|           | 872                             | 8             | 46       | 49         | 136      | 57         | 581      | 68         | 3098     | 84         |
|           | 1091                            | 10            | 73       | 55         | 212      | 63         | 908      | 74         | 4840     | 89         |
|           | 1309                            | 12            | 105      | 60         | 305      | 68         | 1307     | 79         | 6970     | 94         |
| 250       | 342                             | 2             | 3        | 12         | 8        | 21         | 36       | 32         | 194      | 48         |
|           | 684                             | 4             | 12       | 31         | 34       | 40         | 145      | 51         | 774      | 66         |
|           | 1027                            | 6             | 26       | 43         | 76       | 51         | 327      | 62         | 1742     | 78         |
|           | 1369                            | 8             | 46       | 50         | 136      | 59         | 581      | 70         | 3098     | 85         |
|           | 1711                            | 10            | 73       | 57         | 212      | 65         | 908      | 76         | 4840     | 91         |
|           | 2053                            | 12            | 105      | 61         | 305      | 70         | 1307     | 81         | 6970     | 96         |
| 315       | 546                             | 2             | 3        | 14         | 8        | 23         | 36       | 34         | 194      | 49         |
|           | 1092                            | 4             | 12       | 33         | 34       | 42         | 145      | 53         | 774      | 68         |
|           | 1639                            | 6             | 26       | 44         | 76       | 53         | 327      | 64         | 1742     | 79         |
|           | 2185                            | 8             | 46       | 52         | 136      | 61         | 581      | 72         | 3098     | 87         |
|           | 2731                            | 10            | 73       | 58         | 212      | 67         | 908      | 78         | 4840     | 93         |
|           | 3277                            | 12            | 105      | 63         | 305      | 72         | 1307     | 83         | 6970     | 98         |

The legend

Veff [m/s] - The speed of the air through the damper

α [°] - The opening angle of the damper

NR [dB (A)] - Noise level without room attenuation

ΔPt [Pa] - Pressure loss

## Order code

Example on how to place an order

| Type | Dimensions       |
|------|------------------|
| RD-G | Ø100 ... Ø630 mm |