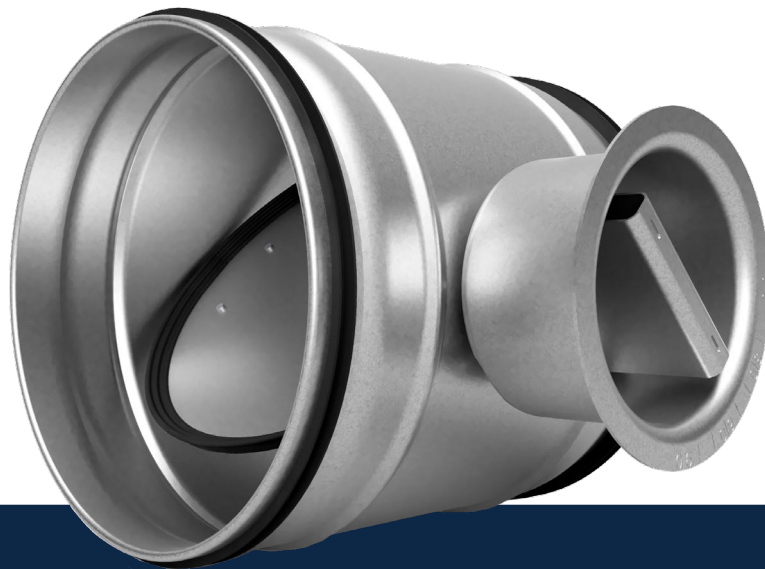


Air through perfection

# Shut-off damper

## RD-G



**ACP**  
Airflow regulation dampers

## Shut-off damper RD-G



### Description

RD-G is a circular control damper with manual operation and sealing gasket.

The circular damper is used to regulate the air flow on the branches of ventilation and air conditioning systems.

### Technical specifications

#### Characteristics

The adjusting damper is equipped with an inner blade, an operating mechanism and a locking screw.

The position of the blade is visible on the drive/adjustment system, from 0 to 90 degrees.

The damper is equipped with a sealing gasket at both ends and on the inner blade.

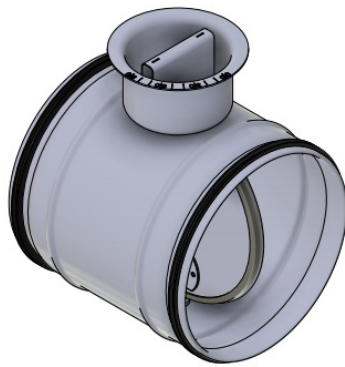
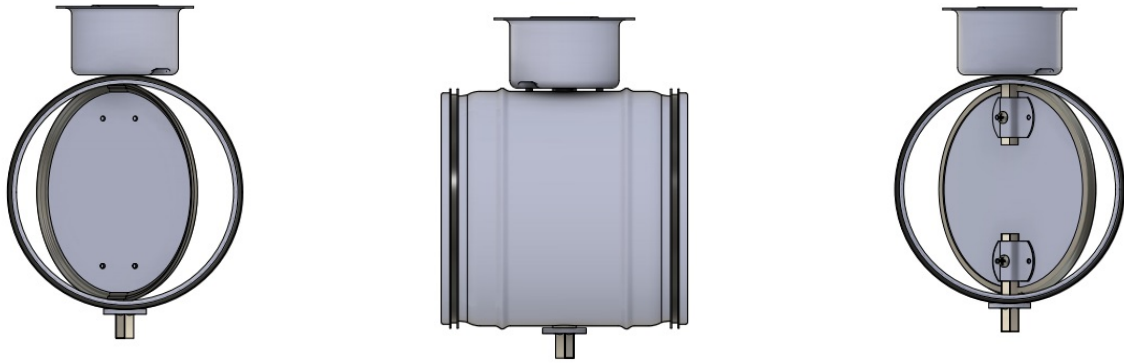
It is easy to operate the damper and it is done manually.

Dimensional range:  $\varnothing 100$ ,  $\varnothing 125$ ,  $\varnothing 150$ ,  $\varnothing 160$ ,  $\varnothing 200$ ,  $\varnothing 250$ ,  $\varnothing 300$ ,  $\varnothing 315$ ,  $\varnothing 355$ ,  $\varnothing 400$ ,  $\varnothing 450$ ,  $\varnothing 500$ ,  $\varnothing 560$ ,  $\varnothing 600$ ,  $\varnothing 630$ .

Materials

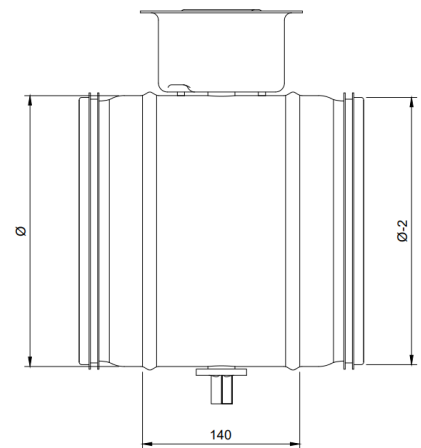
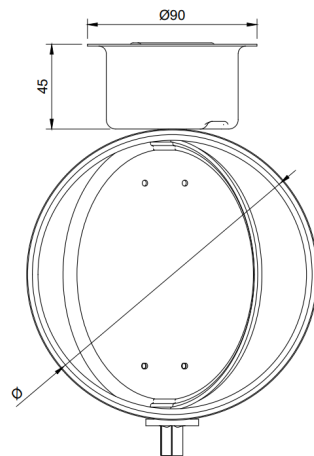
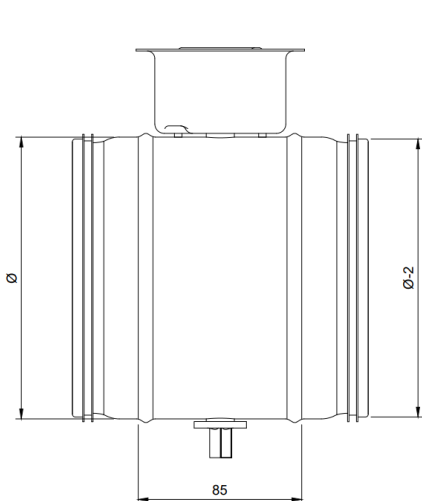
The product is made of galvanized steel sheet (housing, mechanism and blade) and rubber gasket.

Technical drawing



$\varnothing < 355 \text{ mm}$

$\varnothing \geq 355 \text{ mm}$



## Functional parameters

Ø [mm]	Air flow [m <sup>3</sup> /h]	Veff [m/s]	α = 15°		α = 30°		α = 45°		α = 60°	
			ΔPt [Pa]	NR [db(A)]	ΔPt [Pa]	NR [db(A)]	ΔPt [Pa]	NR [db(A)]	ΔPt [Pa]	NR [db(A)]
100	53	2	3	6	8	14	36	25	194	41
	105	4	12	25	34	33	145	44	774	59
	158	6	26	36	76	39	327	55	1742	62
	211	8	46	43	136	52	581	63	3098	78
	263	10	73	49	212	58	908	69	4840	84
	316	12	105	54	305	63	1307	73	6970	88
125	83	2	3	7	8	16	36	27	194	42
	167	4	12	26	34	35	145	46	774	61
	250	6	26	37	76	46	327	57	1742	72
	334	8	46	45	136	46	581	64	3098	72
	417	10	73	51	212	60	908	71	4840	85
	501	12	105	56	305	65	1307	75	6970	90
160	139	2	3	9	8	18	36	29	194	44
	277	4	12	28	34	37	145	48	774	63
	416	6	26	39	76	48	327	59	1742	74
	554	8	46	47	136	56	581	66	3098	82
	693	10	73	53	212	62	908	72	4840	88
	831	12	105	58	305	67	1307	77	6970	92
200	218	2	3	11	8	19	36	31	194	46
	436	4	12	30	34	38	145	50	774	65
	654	6	26	41	76	50	327	60	1742	76
	872	8	46	49	136	57	581	68	3098	84
	1091	10	73	55	212	63	908	74	4840	89
	1309	12	105	60	305	68	1307	79	6970	94
250	342	2	3	12	8	21	36	32	194	48
	684	4	12	31	34	40	145	51	774	66
	1027	6	26	43	76	51	327	62	1742	78
	1369	8	46	50	136	59	581	70	3098	85
	1711	10	73	57	212	65	908	76	4840	91
	2053	12	105	61	305	70	1307	81	6970	96
315	546	2	3	14	8	23	36	34	194	49
	1092	4	12	33	34	42	145	53	774	68
	1639	6	26	44	76	53	327	64	1742	79
	2185	8	46	52	136	61	581	72	3098	87
	2731	10	73	58	212	67	908	78	4840	93
	3277	12	105	63	305	72	1307	83	6970	98

The legend

Veff [m/s] - The speed of the air through the damper

α [°] - The opening angle of the damper

NR [dB (A)] - Noise level without room attenuation

ΔPt [Pa] - Pressure loss

## Order code

Example on how to place an order

Type	Dimensions
RD-G	Ø100 ... Ø630 mm