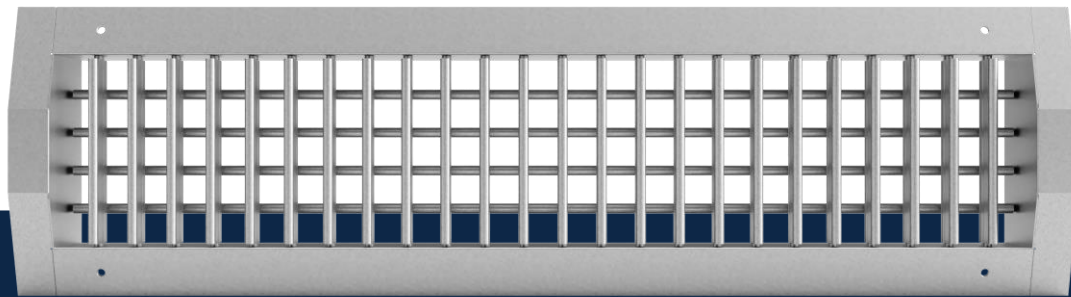


Air through perfection

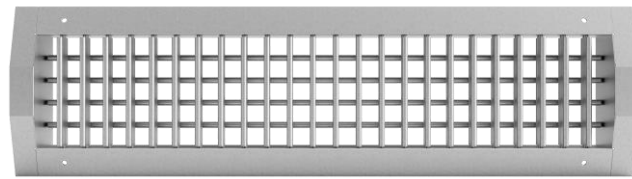
Double deflection grille for circular ducts

RA



ACP
Grilles

Double deflection grille for circular ducts RA



Description

RA is a rectangular grille, made of galvanized steel, with two rows of adjustable blades.

The grille is recommended for longitudinal mounting on rigid circular duct.

It is used for introduction and evacuation of air in ventilation and air conditioning systems.

Technical specifications

Characteristics

The grille is equipped with two rows of individually adjustable blades that allow the directing of the air jet.

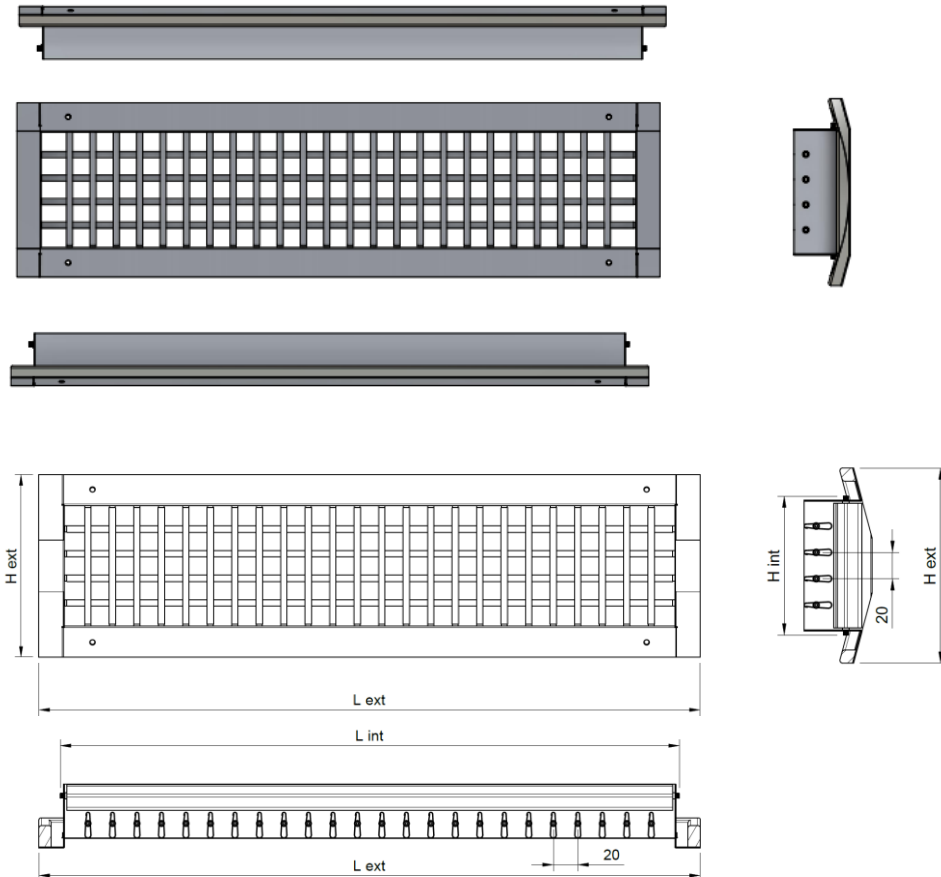
The front blades are parallel to the height and the ones positioned in the background are parallel to the length of the grille.

The product is delivered with a sealing gasket positioned on the frame, mounting holes and fixing screws.

Materials

The grille is made of galvanized steel with natural galvanized finish (unpainted).

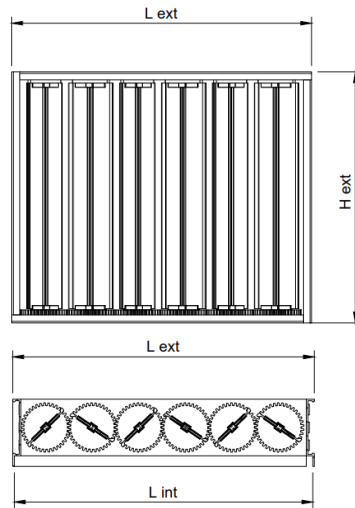
Technical drawing



RA	L x H int	L x H ext	Duct diameter [mm]	
			minimum	maximum
325 x 75	310 x 60	348 x 105	160	400
425 x 75	410 x 60	448 x 105	160	400
525 x 75	510 x 60	548 x 105	160	400
625 x 75	610 x 60	648 x 105	160	400
825 x 75	810 x 60	848 x 105	160	400
325 x 125	310 x 110	348 x 155	250	900
425 x 125	410 x 110	448 x 155	250	900
525 x 125	510 x 110	548 x 155	250	900
625 x 125	610 x 110	648 x 155	250	900
825 x 125	810 x 110	848 x 155	250	900
325 x 225	310 x 210	348 x 255	500	1400
425 x 225	410 x 210	448 x 255	500	1400
525 x 225	510 x 210	548 x 255	500	1400
625 x 225	610 x 210	648 x 255	500	1400
825 x 225	810 x 210	848 x 255	500	1400

Accessories

Opposed blade damper (OBD)



The damper is provided with opposable blades and gears, it is mounted on the grille connection.

Functional parameters

Air flow (m³/h)	LxH Ak [m²]	425 x 75	525 x 75	625 x 75	425 x 125	525 x 125	625 x 125	425 x 225	525 x 225	625 x 225	825 x 225
		0.0091	0.0122	0.0137	0.0190	0.0236	0.0274	0.0372	0.0464	0.0555	0.0737
100	X [m]	3.2									
	NR [dB(A)]	20.0									
	Veff(m/s)	3.0									
	ΔPt [pa]	10.0									
200	X [m]	5.8	5.3	5.0							
	NR [dB(A)]	29.0	25.0	20.0							
	Veff(m/s)	6.1	4.6	4.1							
	ΔPt [pa]	17.9	11.0	6.0							
250	X [m]	7.4	6.4	6.1	5.1						
	NR [dB(A)]	34.0	30.0	27.0	20.0						
	Veff(m/s)	7.6	5.7	5.1	3.7						
	ΔPt [pa]	26.1	16.5	12.4	5.0						
300	X [m]	8.7	8.1	7.2	6.3	5.4					
	NR [dB(A)]	38.0	34.0	31.0	26.0	21.0					
	Veff(m/s)	9.1	6.9	6.1	4.4	3.5					
	ΔPt [pa]	37.1	24.8	17.9	9.6	4.0					
350	X [m]	10.4	9.2	8.5	7.5	6.7	5.3				
	NR [dB(A)]	42.0	38.0	35.0	29.0	25.0	20.0				
	Veff(m/s)	10.7	8.0	7.1	5.1	4.1	3.6				
	ΔPt [pa]	50.9	33.0	23.4	13.8	8.3	5.5				
400	X [m]	11.7	10.7	9.7	8.4	7.6	6.9	5.0			
	NR [dB(A)]	45.0	41.0	38.0	33.0	28.0	25.0	19.0			
	Veff(m/s)	12.2	9.1	8.1	5.8	4.7	4.1	3.0			
	ΔPt [pa]	64.6	44.0	33.0	17.9	11.0	8.3	3.8			
450	X [m]	13.2	11.5	10.9	9.5	8.5	7.8	6.3			
	NR [dB(A)]	48.0	44.0	41.0	36.0	32.0	28.0	21.0			
	Veff(m/s)	13.7	10.3	9.1	6.6	5.3	4.6	3.4			
	ΔPt [pa]	83.9	55.0	41.3	23.4	15.1	11.0	5.0			
500	X [m]		13.2	12.1	10.6	9.4	8.7	7.6	5.7		
	NR [dB(A)]		47.0	43.0	38.0	34.0	30.0	25.0	20.0		
	Veff(m/s)		11.4	10.2	7.3	5.9	5.1	3.7	3.0		
	ΔPt [pa]		68.8	48.1	27.5	17.9	12.4	6.9	4.0		
600	X [m]			14.5	12.7	11.5	10.5	9.1	8.2	6.9	
	NR [dB(A)]			48.0	43.0	38.0	35.0	29.0	25.0	21.0	
	Veff(m/s)			12.2	8.8	7.1	6.1	4.5	3.6	3.0	
	ΔPt [pa]			70.1	39.9	26.1	17.9	12.4	6.9	4.3	
700	X [m]			14.8	13.2	12.2	10.6	9.4	8.6	6.9	5.1
	NR [dB(A)]			46.0	42.0	39.0	33.0	29.0	25.0	19.0	19.0
	Veff(m/s)			10.2	8.3	7.1	5.2	4.2	3.5	2.6	2.6
	ΔPt [pa]			55.0	35.8	24.8	13.8	9.6	6.9	3.0	3.0
800	X [m]				16.9	15.2	13.9	12.1	10.8	9.9	6.5
	NR [dB(A)]				50.0	45.0	42.0	36.0	32.0	29.0	22.0
	Veff(m/s)				11.7	9.4	8.1	6.0	4.8	4.0	3.0
	ΔPt [pa]				71.5	46.8	33.0	19.3	12.4	8.3	4.2
900	X [m]					17.0	15.5	13.6	12.2	11.2	9.7
	NR [dB(A)]					48.0	45.0	39.0	35.0	31.0	26.0
	Veff(m/s)					10.6	9.1	6.7	5.4	4.5	3.4
	ΔPt [pa]					59.1	41.3	23.4	15.1	11.0	5.1
1000	X [m]						17.4	15.2	13.6	12.4	10.7
	NR [dB(A)]						48.0	43.0	39.0	34.0	28.0
	Veff(m/s)						10.2	7.5	6.0	5.0	3.8
	ΔPt [pa]						52.3	30.3	19.3	13.8	6.9
1200	X [m]							18.1	16.1	14.8	12.9
	NR [dB(A)]							46.0	42.0	38.0	33.0
	Veff(m/s)							9.0	7.2	6.0	4.5
	ΔPt [pa]							44.0	27.5	19.3	11.0
1400	X [m]							21.2	19.0	17.4	15.1
	NR [dB(A)]							50.0	46.0	42.0	37.0
	Veff(m/s)							10.4	8.4	7.0	5.3
	ΔPt [pa]							59.1	37.1	26.1	15.1
1600	X [m]								21.6	19.8	17.1
	NR [dB(A)]								49.0	45.0	40.0
	Veff(m/s)								9.6	8.0	6.0
	ΔPt [pa]								48.1	33.0	19.3
1800	X [m]									22.3	19.3
	NR [dB(A)]									48.0	43.0
	Veff(m/s)									9.0	6.8
	ΔPt [pa]									42.6	24.8
2000	X [m]										21.5
	NR [dB(A)]										45.0
	Veff(m/s)										7.5
	ΔPt [pa]										30.3

The legend

Ak [m²] - The free surface

X [m] - The length of the air jet at a speed of 0.25 m/s

NR [dB (A)] - Noise level without room attenuation

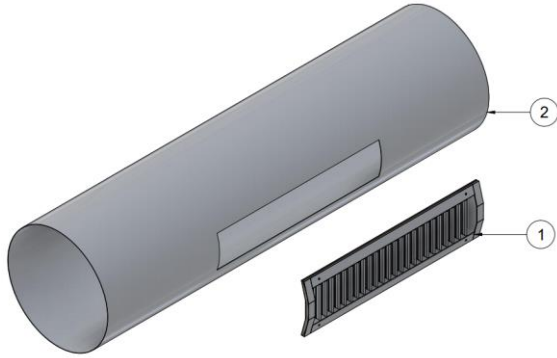
Veff [m/s] - The effective velocity of air in the grille

ΔPt [Pa] - Pressure loss

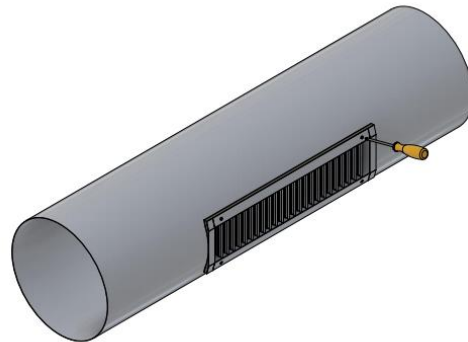
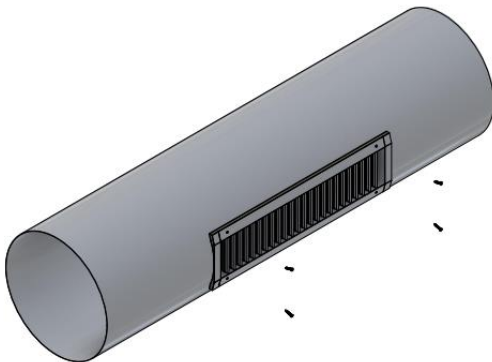
Installation

Longitudinal installation on rigid circular duct. Fixing the grille is done with screws.

Installation on circular duct



1 - Grille RA
2 - Rigid circular duct



Order code

Example on how to place an order

Type	Dimensions	Accessories
RA		
On request (according to the table)		
OBD - Control damper		