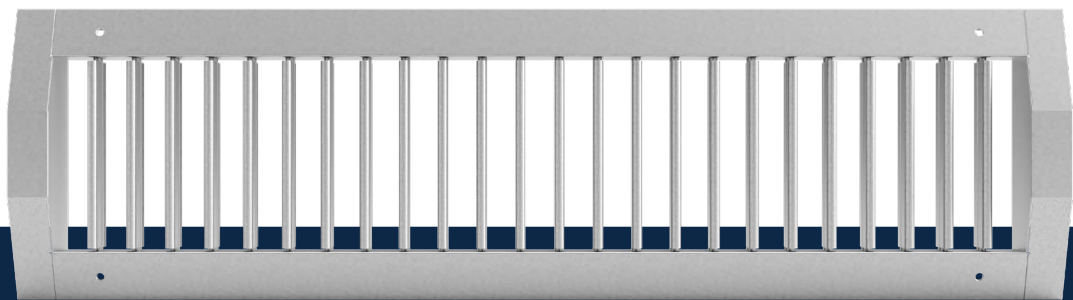


Air through perfection

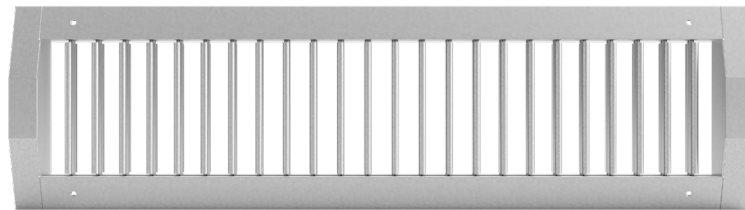
Single deflection grille for circular ducts

RA-1



ACP
Grilles

Single deflection grille for circular ducts RA-1



Description

RA-1 is a rectangular grille, made of galvanized steel, with a row of adjustable blades.

The grille is recommended for longitudinal mounting on rigid circular duct.

It is used for introduction and evacuation of air in ventilation and air conditioning systems.

Technical specifications

Characteristics

The grille is equipped with a row of individually adjustable blades that allow the direction of the air jet.

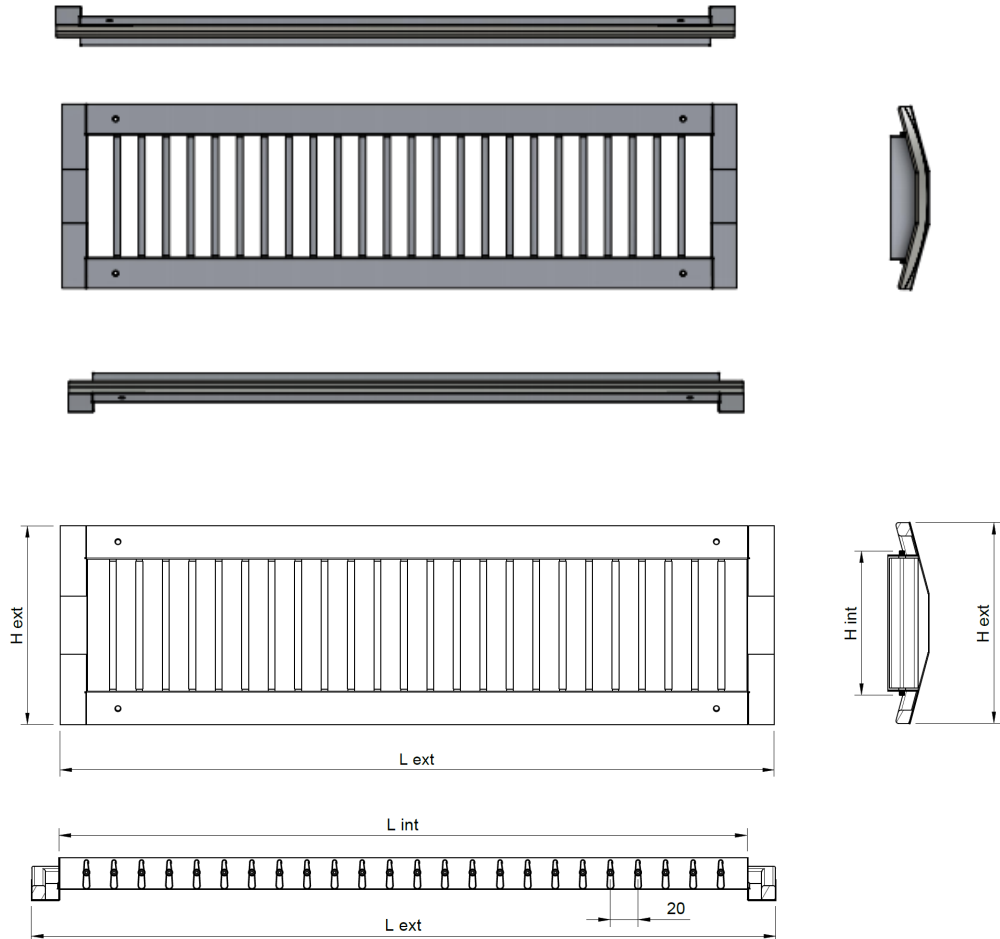
The blades are parallel to the height and easy to adjust.

The product is delivered with a sealing gasket positioned on the frame, mounting holes and fixing screws.

Materials

The grille is made of galvanized steel with natural galvanized finish (unpainted).

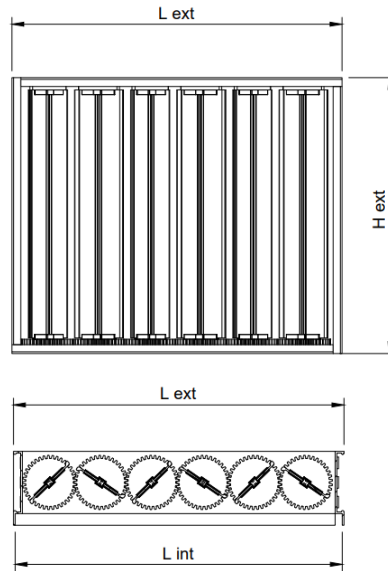
Technical drawing



RA-1	L x H int	L x H ext	Duct diameter [mm]	
			minimum	maximum
325 x 75	308 x 60	348 x 105	160	400
425 x 75	408 x 60	448 x 105	160	400
525 x 75	508 x 60	548 x 105	160	400
625 x 75	608 x 60	648 x 105	160	400
825 x 75	808 x 60	848 x 105	160	400
325 x 125	308 x 110	348 x 155	250	900
425 x 125	408 x 110	448 x 155	250	900
525 x 125	508 x 110	548 x 155	250	900
625 x 125	608 x 110	648 x 155	250	900
825 x 125	808 x 110	848 x 155	250	900
325 x 225	308 x 210	348 x 255	500	1400
425 x 225	408 x 210	448 x 255	500	1400
525 x 225	508 x 210	548 x 255	500	1400
625 x 225	608 x 210	648 x 255	500	1400
825 x 225	808 x 210	848 x 255	500	1400

Accessories

Opposed blade damper (OBD)



The damper is provided with opposable blades and gears, it is mounted on the grille connection.

Functional parameters

Air flow (m ³ /h)	LxH Ak [m ²]	425 x 75	525 x 75	625 x 75	425 x 125	525 x 125	625 x 125	425 x 225	525 x 225	625 x 225	825 x 225
		0.012	0.016	0.018	0.025	0.031	0.036	0.049	0.061	0.073	0.097
200	X [m]	5.0	4.6								
	NR [dB(A)]	24.0	20.0								
	Veff (m/s)	4.63	3.47								
	ΔPt [pa]	13.0	8.0								
250	X [m]	6.4	5.6	5.3							
	NR [dB(A)]	29.0	25.0	22.0							
	Veff (m/s)	5.79	4.34	3.86							
	ΔPt [pa]	19.0	12.0	9.0							
300	X [m]	7.6	7.0	6.3	5.5						
	NR [dB(A)]	33.0	29.0	26.0	21.0						
	Veff (m/s)	6.94	5.21	4.63	3.33						
	ΔPt [pa]	27.0	18.0	13.0	7.0						
350	X [m]	9.0	8.0	7.4	6.5	5.8					
	NR [dB(A)]	37.0	33.0	30.0	24.0	20.0					
	Veff (m/s)	8.1	6.1	5.4	3.9	3.1					
	ΔPt [pa]	37.0	24.0	17.0	10.0	6.0					
400	X [m]	10.2	9.3	8.4	7.3	6.6	6.0				
	NR [dB(A)]	40.0	36.0	33.0	28.0	23.0	20.0				
	Veff (m/s)	9.3	6.9	6.2	4.4	3.6	3.1				
	ΔPt [pa]	47.0	32.0	24.0	13.0	8.0	6.0				
450	X [m]	11.5	10.0	9.5	8.3	7.4	6.8				
	NR [dB(A)]	43.0	39.0	36.0	31.0	27.0	23.0				
	Veff (m/s)	10.4	7.8	6.9	5.0	4.0	3.5				
	ΔPt [pa]	61.0	40.0	30.0	17.0	11.0	8.0				
500	X [m]		11.5	10.5	9.2	8.2	7.6	6.6			
	NR [dB(A)]		42.0	38.0	33.0	29.0	25.0	20.0			
	Veff (m/s)		8.7	7.7	5.6	4.5	3.9	2.8			
	ΔPt [pa]		50.0	35.0	20.0	13.0	9.0	5.0			
600	X [m]			12.6	11.0	10.0	9.1	7.9	7.1		
	NR [dB(A)]			43.0	38.0	33.0	30.0	24.0	20.0		
	Veff (m/s)			9.3	6.7	5.4	4.6	3.4	2.7		
	ΔPt [pa]			51.0	29.0	19.0	13.0	9.0	5.0		
700	X [m]				12.9	11.5	10.6	9.2	8.2	7.5	
	NR [dB(A)]				41.0	37.0	34.0	28.0	24.0	20.0	
	Veff (m/s)				7.8	6.3	5.4	4.0	3.2	2.7	
	ΔPt [pa]				40.0	26.0	18.0	10.0	7.0	5.0	
800	X [m]				14.7	13.2	12.1	10.5	9.4	8.6	
	NR [dB(A)]				45.0	40.0	37.0	31.0	27.0	24.0	
	Veff (m/s)				8.9	7.2	6.2	4.5	3.6	3.0	
	ΔPt [pa]				52.0	34.0	24.0	14.0	9.0	6.0	
900	X [m]					14.8	13.5	11.8	10.6	9.7	8.4
	NR [dB(A)]					43.0	40.0	34.0	30.0	26.0	21.0
	Veff (m/s)					8.1	6.9	5.1	4.1	3.4	2.6
	ΔPt [pa]					43.0	30.0	17.0	11.0	8.0	3.0
1000	X [m]						15.1	13.2	11.8	10.8	9.3
	NR [dB(A)]						43.0	38.0	34.0	29.0	23.0
	Veff (m/s)						7.7	5.7	4.6	3.8	2.9
	ΔPt [pa]						38.0	22.0	14.0	10.0	5.0
1200	X [m]							15.7	14.0	12.9	11.2
	NR [dB(A)]							41.0	37.0	33.0	28.0
	Veff (m/s)							6.8	5.5	4.6	3.4
	ΔPt [pa]							32.0	20.0	14.0	8.0
1400	X [m]							18.4	16.5	15.1	13.1
	NR [dB(A)]							45.0	41.0	37.0	32.0
	Veff (m/s)							7.9	6.4	5.3	4.0
	ΔPt [pa]							43.0	27.0	19.0	11.0
1600	X [m]								18.8	17.2	14.9
	NR [dB(A)]								44.0	40.0	35.0
	Veff (m/s)								7.3	6.1	4.6
	ΔPt [pa]								35.0	24.0	14.0
1800	X [m]									19.4	16.8
	NR [dB(A)]									43.0	38.0
	Veff (m/s)									6.8	5.2
	ΔPt [pa]									31.0	18.0
2000	X [m]										18.7
	NR [dB(A)]										40.0
	Veff (m/s)										5.7
	ΔPt [pa]										22.0

The legend

Ak [m²] - The free surface

X [m] - The length of the air jet at a speed of 0.25 m/s

NR [dB (A)] - Noise level without room attenuation

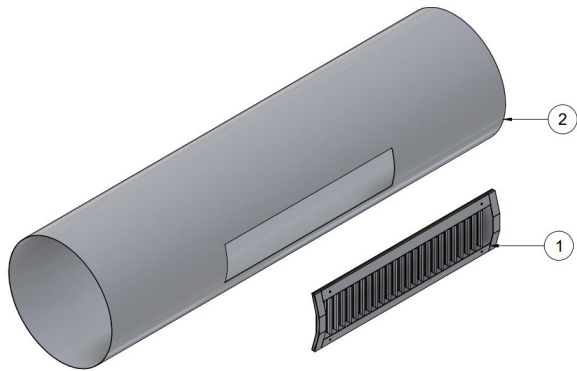
Veff [m/s] - The effective air speed in the grille

ΔPt [Pa] - Pressure loss

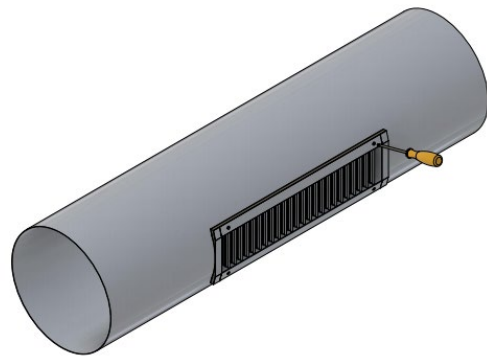
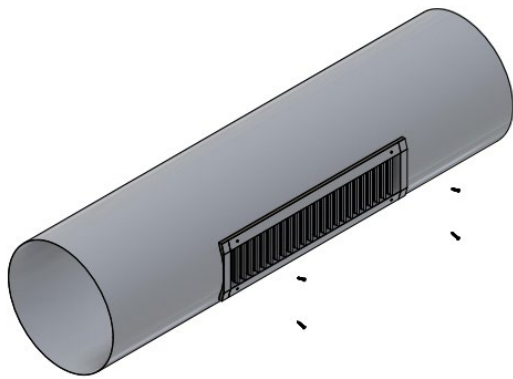
Installation

Longitudinal installation on rigid circular duct. Fixing the grille is done with screws.

Installation on circular duct



- 1 - Grille RA-1
- 2 - Rigid circular duct



Order code

Example on how to place an order

	Type	Dimensions	Accessories
RA-1			
On request (according to the table)			
OBD - Control damper			