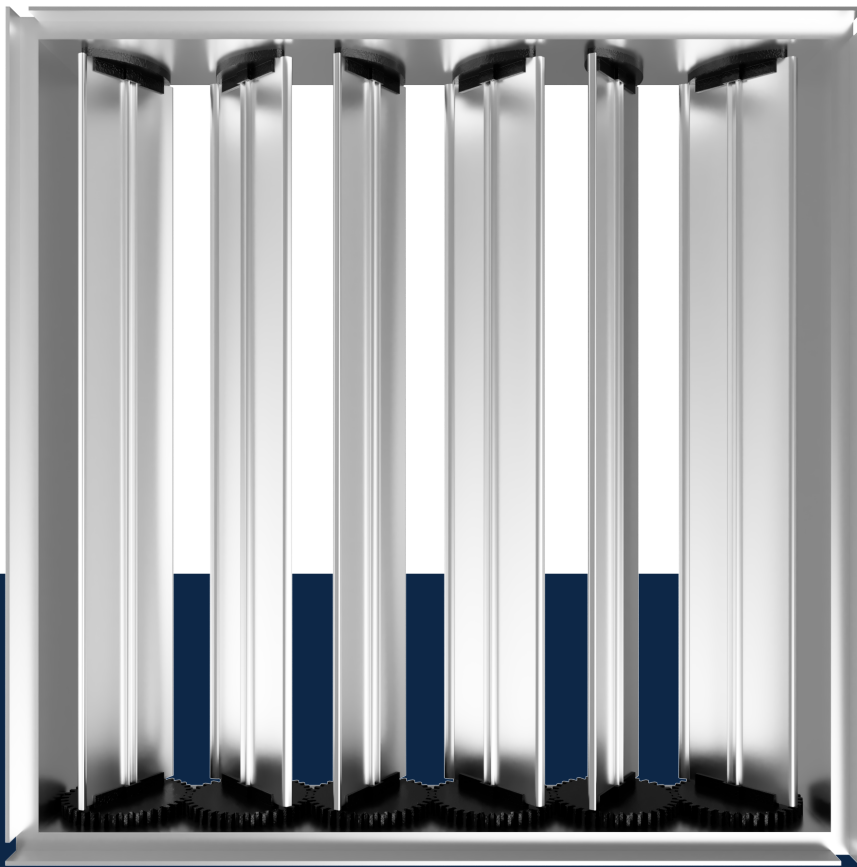


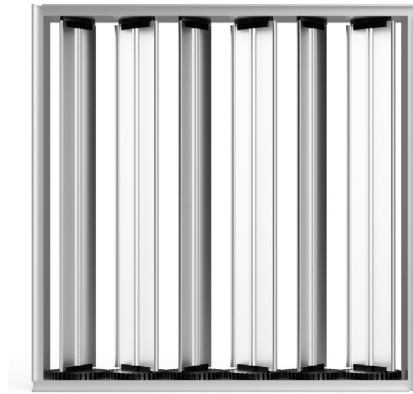
Air through perfection

Opposed blade damper



ACP
Airflow regulation dampers

Opposed blade damper OBD



Description

The aluminum opposed blade damper is used to adjust the air flow and is mounted on the grille or diffuser connection.

Technical specifications

Characteristics

The register is provided with opposable blades and gears.

The register is operated manually.

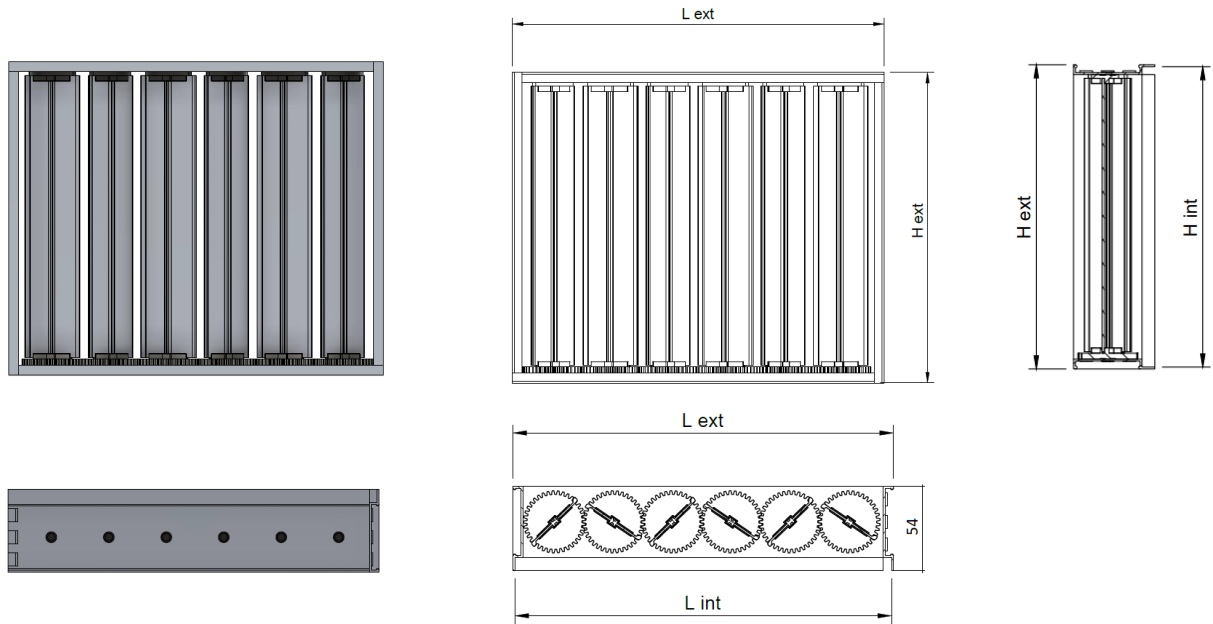
Depending on the size, the register is made in one or more pieces.

Materials

The frame and blades are made of extruded aluminum with a natural finish.

Polypropylene gears.

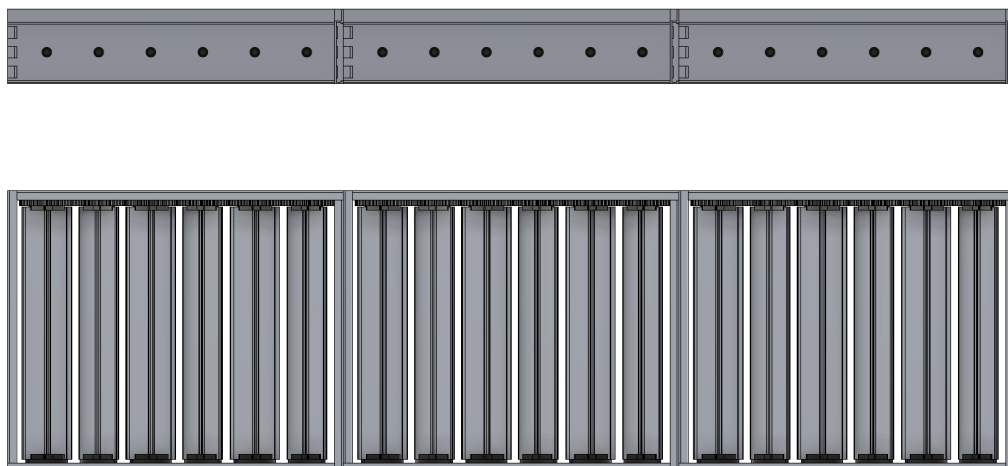
Technical drawing



Depending on the required size, the adjustment damper is made in one or more independent pieces.

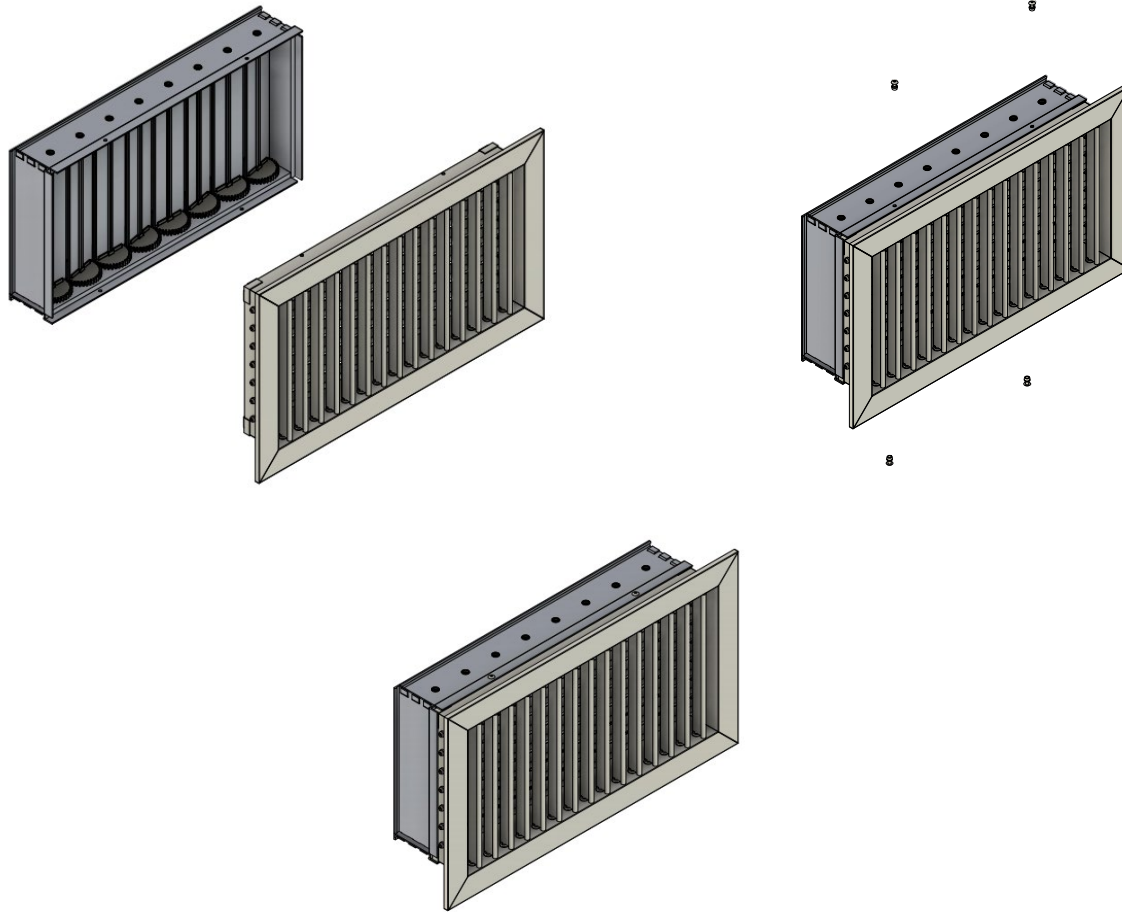
L x H [mm]	Opposed blade damper																			
	100	200	300	400	500	600	700	800	900	1000	1100	1200	1300	1400	1500	1600	1700	1800	1900	2000
85	1	1	1	1	1	1	2	2	2	2	2	2	3	3	3	3	3	4	4	4
100	1	1	1	1	1	1	2	2	2	2	2	2	3	3	3	3	3	4	4	4
150	1	1	1	1	1	1	2	2	2	2	2	2	3	3	3	3	3	4	4	4
200	-	1	1	1	1	1	2	2	2	2	2	2	3	3	3	3	3	4	4	4
300	-	-	1	1	1	1	2	2	2	2	2	2	3	3	3	3	3	4	4	4
400	-	-	-	1	1	1	2	2	2	2	2	2	3	3	3	3	3	3	4	4
500	-	-	-	-	1	2	2	2	2	2	3	3	3	3	3	4	4	4	4	4
600	-	-	-	-	-	2	2	4	4	4	4	4	4	4	4	5	5	5	5	5

Example: OBD-1400x300 mm



Installation

Pop-rivets mounting on the grille connection.



Order code

Example on how to place an order

	Type	Dimension
<u>OBD</u>		
<u>On request</u>		