

Air through perfection

Architectural swirl diffuser

HELIO



ACP
Architectural diffusers

Architectural swirl diffuser HELIO



Description

HELIO is an architectural, square, swirl air diffuser used for introducing or evacuating the air.

The diffuser is recommended for installations with constant or variable air flow and is intended for spaces with a height <4m.

The design of the product determines a high level of induction rate.

Technical specifications

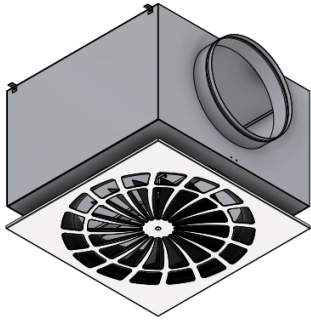
Characteristics

The front plate has the external dimensions 595x595 mm and the circular connection \varnothing 470 mm.

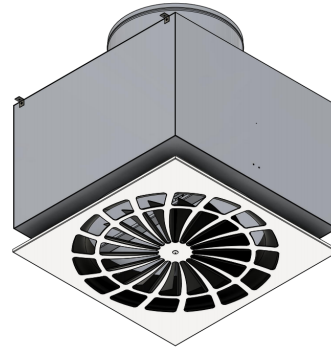
The diffuser blades are fixed and arranged radially at the front plate.

For a uniform appearance of the enclosures, the HELIO diffuser can also be used for air evacuation.

The product is delivered with the following elements: mounting bracket, fixing screw, screw cover cap and sealing gasket.



Horizontal connection



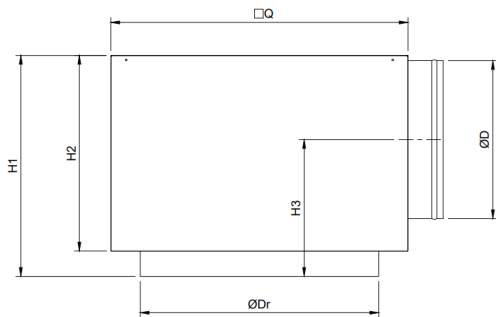
Vertical connection

Accessories

The diffuser can be supplied with a plenum connecting to the circular duct, with horizontal or vertical connection. The plenum is provided with suspension elements (lugs) and bead roll on the spigot, for easy fixing of the flexible duct. Optionally, a perforated damper can be mounted on the plenum connection to balance the air flow.

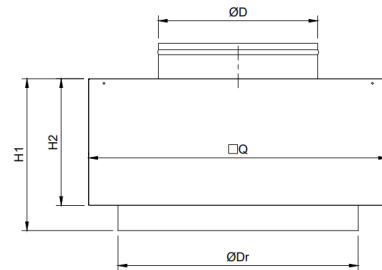
Adapter (plenum box)

Horizontal connection
(side/ lateral exit)



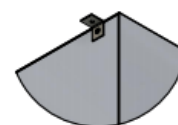
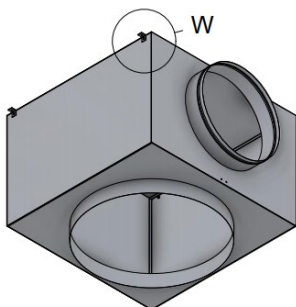
ØD	ØDr	□Q	H1	H2	H3
mm	mm	mm	mm	mm	mm
315	475	590	440	390	267.5

Vertical connection
(opposite/ exit)



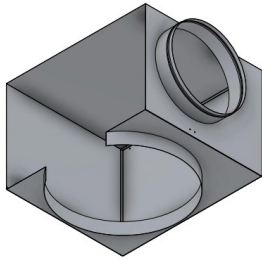
ØD	ØDr	□Q	H1	H2
mm	mm	mm	mm	mm
315	475	590	300	250

The adapter is made of galvanized steel sheet Z140 and is equipped with 4 lugs for suspension.

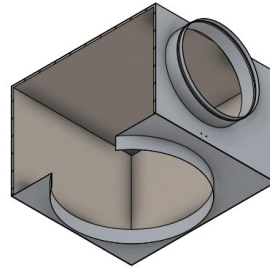


W - Suspension lug

On request, the plenum can be insulated with 6 mm thick elastomeric rubber.

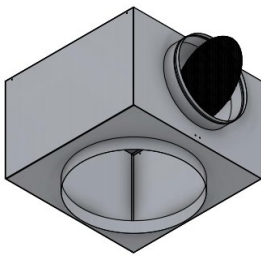


AN - Uninsulated adapter

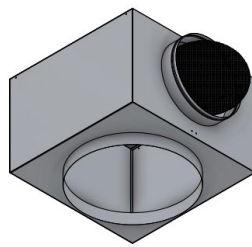


AIZ - Insulated adapter

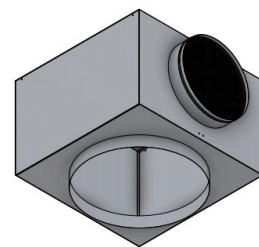
Perforated damper



Position 0°



Position 45°



Position 90°

The perforated damper is mounted on the adapter spigot and has the role of balancing the air flow.

Functional parameters

Air introduction - horizontal connection

Dimension [mm]	Ak = 0,0635 m ²		Blades positioning					
			0°		45°		90°	
	D [mm]	Air flow [m ³ /h]	ΔPt [Pa]	NR [dB(A)]	ΔPt [Pa]	NR [dB(A)]	ΔPt [Pa]	NR [dB(A)]
595 x 595	470	720	14	23	18	24	38	34
		1044	29	34	38	36	80	44
		1368	50	43	65	45	138	53
		1674	75	50	97	53	206	61

Air introduction - vertical connection

Dimension [mm]	Ak = 0,0635 m ²		Blades positioning					
			0°		45°		90°	
	D [mm]	Air flow [m ³ /h]	ΔPt [Pa]	NR [dB(A)]	ΔPt [Pa]	NR [dB(A)]	ΔPt [Pa]	NR [dB(A)]
595 x 595	470	720	9	27	14	30	34	35
		1008	17	36	27	40	66	45
		1278	28	43	43	47	106	53
		1566	41	50	65	54	159	61

The legend

- Ak [m²] - The free surface
- NR [dB (A)] - Noise level without room attenuation
- ΔPt [Pa] - Pressure loss
- D [mm] – Diffuser connection diameter

Note

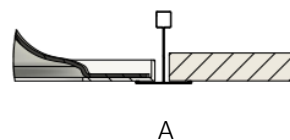
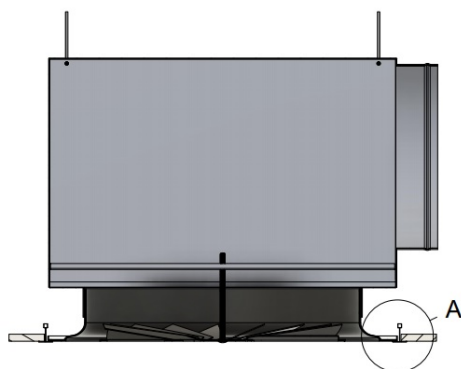
- 0° blade position - damper open
- 45° blade position - damper inclined
- 90° blade position - damper closed
- Values are provided for a plenum diffuser, connection diameter 315mm

Installation

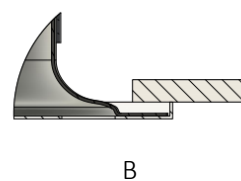
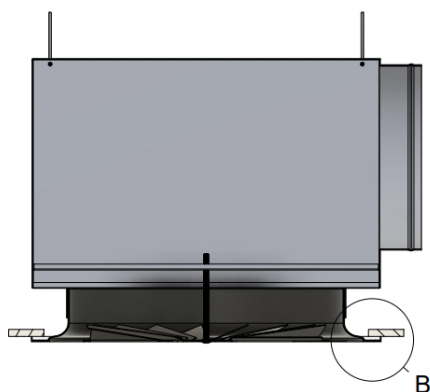
The diffuser can be mounted in 600 x 600 mm T-bar false ceiling, continuous ceiling or suspended.

The fixing of the plenum diffuser is done by using a central screw screwed into the mounting bracket, positioned inside of the plenum box.

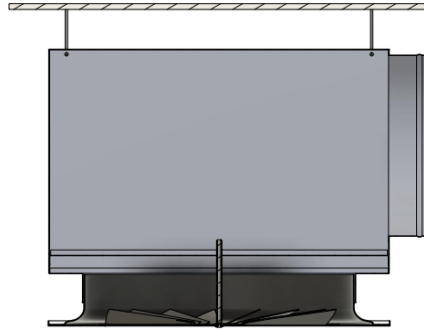
Installation in T-bar suspended ceiling



Installation in continuous ceiling



Suspended in the ceiling



Order code

Example on how to place an order

Type	Dimensions	Accessories	Finish
HELIO	595 x 595 / D470 mm		
AIZ - Insulated adapter			
AN - Uninsulated adapter			
Perforated damper (plenum box)			
Front plate RAL 9016			
Blades and connection RAL 9005			