

Air through perfection

# Exhaust air valve



**ACP**  
Valves

## Exhaust air valve EV



### Description

EV is a circular exhaust air valve used for air evacuation.

The valve is a practical ventilation solution for installations with constant or variable air flow.

It is recommended for small rooms with wall or ceiling mounting.

### Technical specifications

#### Characteristics

The valve is available in the following dimensional options: 100, 125, 150, 160, 200 mm.

EV is equipped with adjustable center disc and mounting frame.

Screwing/unscrewing the center disc increases/decreases the space between the disc and the frame, thus obtaining the adjustment of the air flow.

Adjusting the disc is easy and is done manually.

The mounting frame is provided with holes and is used to attach the valve to the wall or ceiling.

The valve is provided with a sealing gasket.

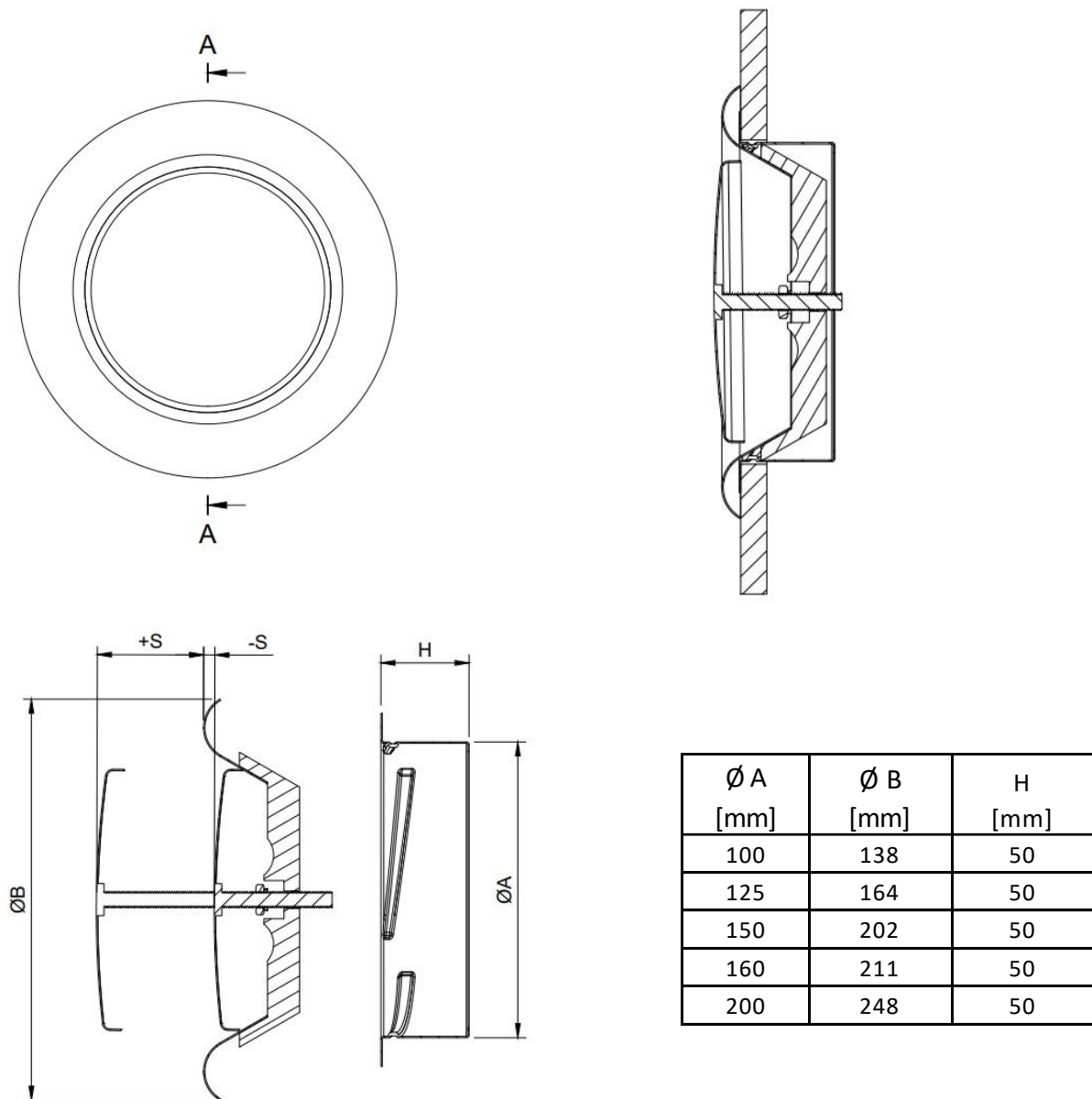
## Materials

The valve is made of steel, electrostatic field painted in glossy white RAL9016.

Other RAL colours are available on request.

The mounting frame is made of galvanized steel sheet.

## Technical drawing



## Functional parameters

Air flow [m <sup>3</sup> /h]	Dimension [mm]	100						125								
		S [mm]	-10	-8	-5	0	5	10	-15	-12	-9	-6	-3	0	3	6
20	NR [dB(A)]		21.00	15.00	12.00				12.00	5.00						
	ΔPt [Pa]		83.00	42.00	18.00				28.00	13.00						
35	NR [dB(A)]		27.00	22.50	17.00	12.00			19.00	10.00	7.00					
	ΔPt [Pa]		200.00	95.00	45.00	18.00			58.00	28.00	16.00					
50	NR [dB(A)]			33.00	28.00	22.00	17.00	12.00	31.00	22.00	20.00	16.00	10.00			
	ΔPt [Pa]			250.00	130.00	50.00	28.00	13.00	155.00	80.00	50.00	30.00	18.00			
70	NR [dB(A)]			40.00	33.00	27.00	22.00	18.00	37.00	29.00	24.00	22.00	18.00	15.00		
	ΔPt [Pa]			330.00	200.00	80.00	42.00	26.00	250.00	140.00	70.00	45.00	30.00	20.00		
150	NR [dB(A)]					40.00	37.00	33.00				40.00	35.00	31.00	27.00	22.00
	ΔPt [Pa]					320.00	180.00	100.00				200.00	135.00	82.00	60.00	48.00

Air flow [m <sup>3</sup> /h]	Dimension [mm]	150						160							
		S [mm]	-15	-13	-10	-5	0	5	10	-15	-10	-5	0	5	10
20	NR [dB(A)]		5.00												
	ΔPt [Pa]		10.00												
35	NR [dB(A)]		13.00	7.00						8.00					
	ΔPt [Pa]		29.00	16.00						25.00					
50	NR [dB(A)]		24.00	20.00	13.00	8.00				20.00	10.00	6.00			
	ΔPt [Pa]		78.00	45.00	27.00	18.00				72.00	28.00	14.00			
70	NR [dB(A)]		27.00	21.00	17.00	12.00				21.00	10.00	8.00	3.00		
	ΔPt [Pa]		98.00	58.00	32.00	20.00				84.00	32.00	18.00	10.00		
150	NR [dB(A)]				38.00	32.00	26.00	20.00	18.00	37.00	27.00	22.00	18.00	12.00	8.00
	ΔPt [Pa]				190.00	97.00	58.00	37.00	23.00	290.00	120.00	58.00	32.00	22.00	14.00
350	NR [dB(A)]					50.00	41.00	38.00				40.00	36.00	32.00	29.00
	ΔPt [Pa]					250.00	150.00	100.00				310.00	190.00	140.00	90.00
550	NR [dB(A)]							60.00					45.00	38.00	36.00
	ΔPt [Pa]							280.00					320.00	250.00	160.00

Air flow [m <sup>3</sup> /h]	Dimension [mm]	200								
		S [mm]	-25	-20	-15	-10	-5	0	10	20
50	NR [dB(A)]		17.00	7.00						
	ΔPt [Pa]		50.00	18.00						
70	NR [dB(A)]		23.00	12.00	7.00					
	ΔPt [Pa]		85.00	28.00	14.00					
150	NR [dB(A)]		45.00	30.00	23.00	17.00	13.00	15.00		
	ΔPt [Pa]		350.00	130.00	60.00	33.00	22.00	16.00		
350	NR [dB(A)]				40.00	38.00	33.00	30.00	23.00	18.00
	ΔPt [Pa]				260.00	160.00	130.00	80.00	42.00	23.00
550	NR [dB(A)]						45.00	40.00	38.00	32.00
	ΔPt [Pa]						300.00	210.00	120.00	62.00

The legend

S [mm] - Opening the disc

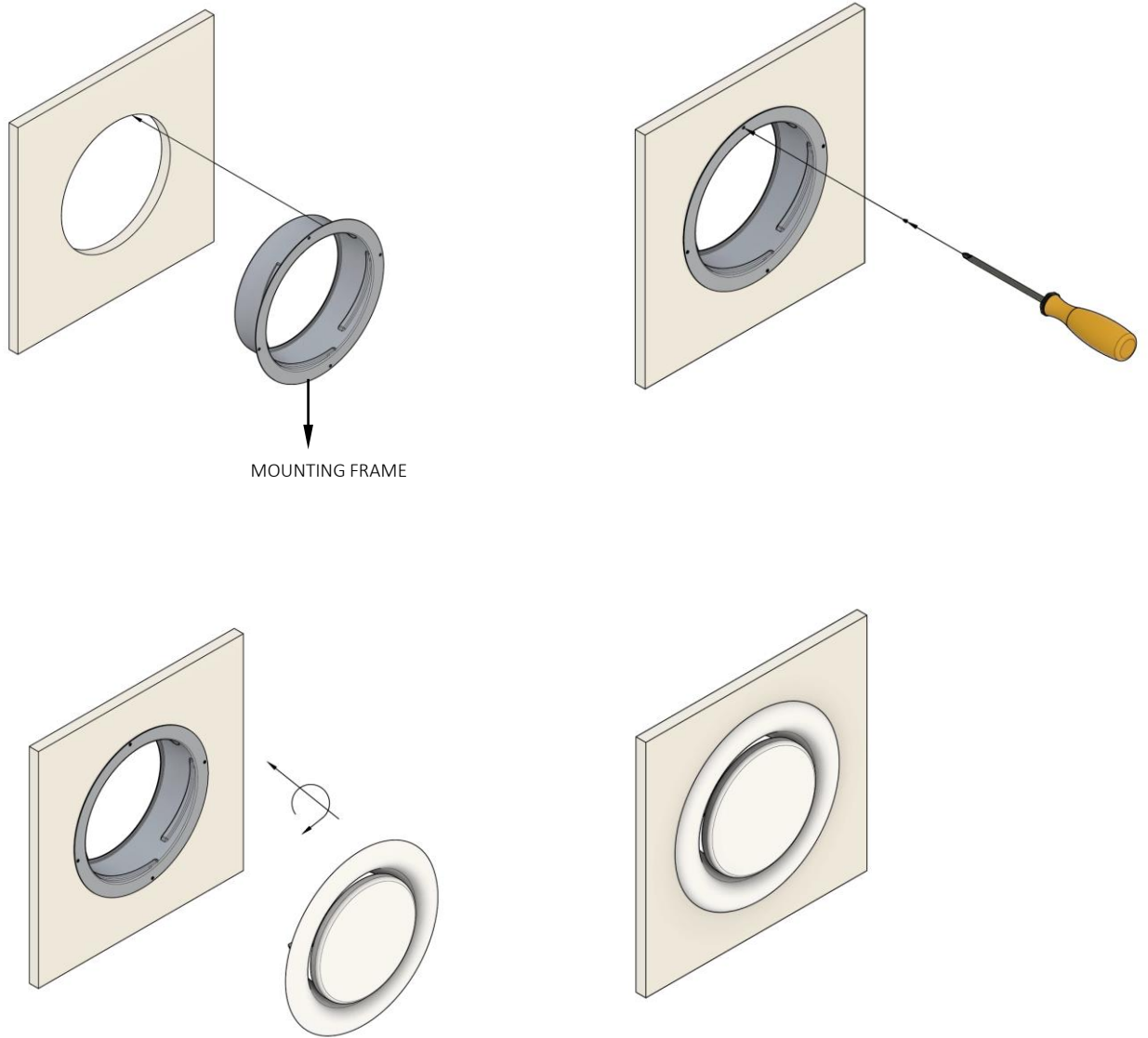
NR [dB (A)] - Noise level without room attenuation

ΔPt [Pa] - Pressure loss

## Installation

The valve can be mounted in the ceiling or wall.

The valve is fixed by means of the mounting frame.



## Order code

Example on how to place an order

Type	Diameter	Finish
EV	100, 125, 150, 160, 200 mm	RAL 9016
RAL.. - Other RAL colours on request		