

Air through perfection

Egg crate grille  
with access

**EGD-45**



**ACP**  
Access grilles

## Egg crate grille with access EGD-45



### Description

EGD-45 is a return grille with access door and egg crate central part with 45 ° inclination.

The grille allows the evacuation of a high air flow with a minimum pressure loss.

Can be applied on the wall or false ceiling.

### Technical specifications

#### Characteristics

The central part is egg crate type with size 12.5 x 12.5 mm and 45° inclination.

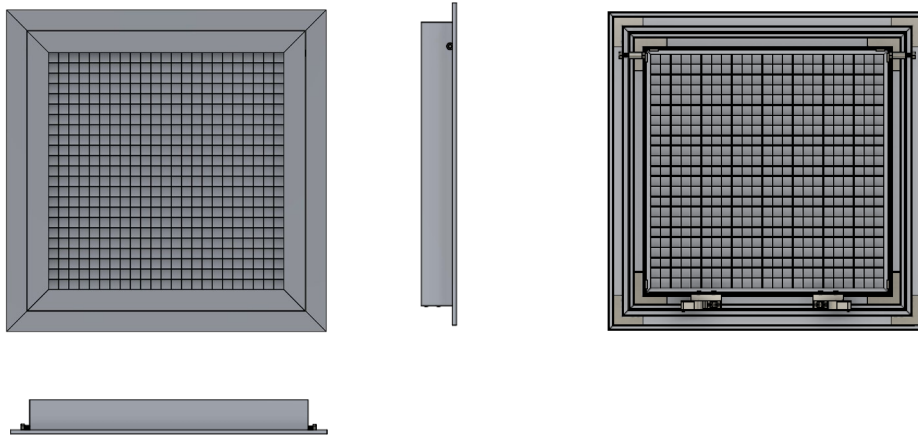
The opening system is click type (opening/closing by pressing) which facilitates access.

The grille is produced as standard without mounting holes. Optionally, mounting holes can be requested on the visible grille frame.

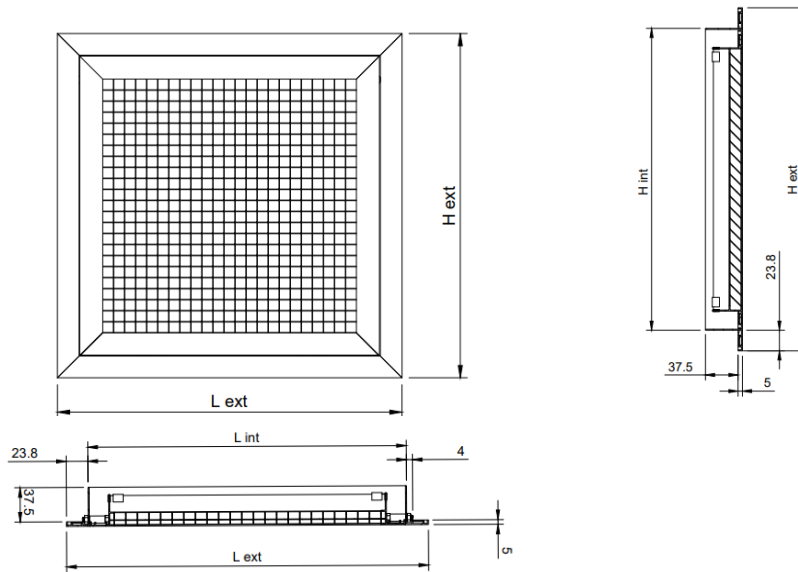
### Materials

The grille is made of extruded aluminum electrostatic field painted in glossy white RAL 9016.  
On request, the grille can be painted in other RAL colours.

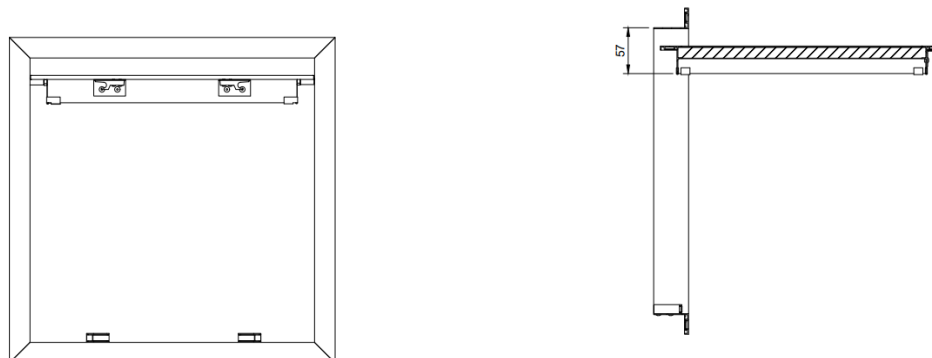
### Technical drawing



Grille in closed position



Grille in open position



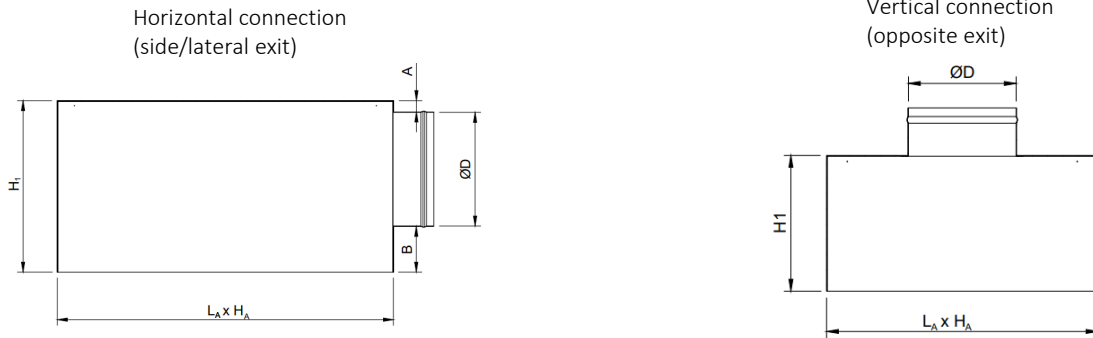
## Accessories

The grille can be equipped with plenum (adapter) or G4 air filter.

### Adapter (plenum box)

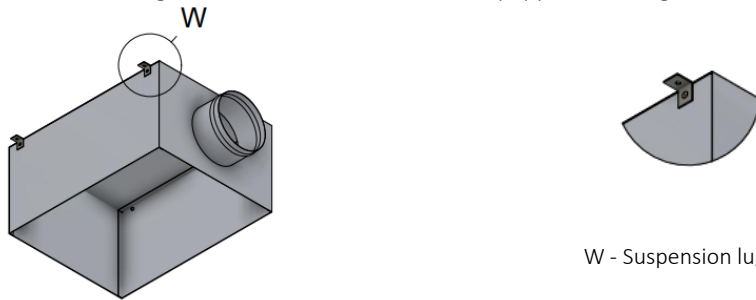
The plenum connection to the circular duct can be with horizontal or vertical connection.

The plenum is provided with suspension elements (lugs) and bead roll on the spigot, for easy fixing of the flexible duct.



$L_A \times H_A = \text{Lint} \times \text{Hint grille} + 5 \text{ mm}$   
 A, B, H1 - depending on demand and  $\varnothing D$

The adapter is made of Z140 galvanized sheet metal and is equipped with lugs for mounting.



W - Suspension lug

The plenum is available in two options, uninsulated or insulated with 6 mm thick elastomeric rubber.

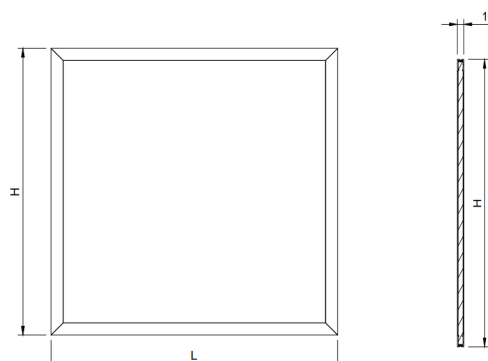


AN - Uninsulated adapter

AIZ - Insulated adapter

### G4 air filter with frame (F-R)

G4 air filter with aluminum frame is used for air filtration and is mounted on the grille connection.



## Functional parameters

Air flow (m <sup>3</sup> /h)	LxH Ak [m <sup>2</sup> ]	250x150	350x200	450x250	500x250	550x350	550x400	600x500	650x650	1000x700
		0.0101	0.0276	0.0532	0.0618	0.1083	0.1321	0.1786	0.2774	0.4760
100	Veff	2.8	1.0	0.5						
	NR [dB(A)]	24.0	12.5	6.5						
	ΔPt [pa]	13.8	2.6	1.4						
200	Veff	5.5	2.0	1.0	0.9	0.5				
	NR [dB(A)]	38.0	20.0	13.5	10.5	5.5				
	ΔPt [pa]	53.0	8.5	2.7	2.4	1.4				
300	Veff		3.0	1.6	1.3	0.8	0.6			
	NR [dB(A)]		25.5	17.0	14.0	9.0	6.0			
	ΔPt [pa]		17.0	6.2	3.8	2.1	1.6			
400	Veff		4.0	2.1	1.8	1.0	0.8	0.6		
	NR [dB(A)]		31.0	19.0	18.0	10.0	9.0	5.0		
	ΔPt [pa]		28.5	9.0	6.1	2.8	2.2	1.6		
500	Veff		5.0	2.6	2.2	1.3	1.1	0.8		
	NR [dB(A)]		37.0	24.0	22.0	13.0	12.0	8.0		
	ΔPt [pa]		43.0	13.0	9.2	3.5	2.8	2.0		
600	Veff		6.0	3.1	2.7	1.5	1.3	0.9	0.6	
	NR [dB(A)]		41.0	27.0	25.0	18.0	13.0	10.0	6.0	
	ΔPt [pa]		62.5	18.0	13.5	5.0	3.6	2.4	1.7	
700	Veff			3.7	3.1	1.8	1.5	1.1	0.7	
	NR [dB(A)]			30.0	28.0	19.0	15.0	12.0	8.0	
	ΔPt [pa]			23.0	17.0	6.4	5.5	3.1	2.3	
800	Veff			4.2	3.6	2.1	1.7	1.2	0.8	
	NR [dB(A)]			34.0	32.0	21.0	16.0	13.0	10.0	
	ΔPt [pa]			31.0	22.5	8.5	6.1	3.7	2.5	
900	Veff			4.7	4.0	2.3	1.9	1.4	0.9	0.5
	NR [dB(A)]			36.0	33.0	23.0	18.0	14.0	11.0	5.0
	ΔPt [pa]			38.0	29.0	10.0	7.3	4.9	2.7	2.0
1000	Veff				4.5	2.6	2.1	1.6	1.0	0.6
	NR [dB(A)]				35.0	24.0	20.0	18.0	14.0	8.0
	ΔPt [pa]				36.0	12.5	9.5	5.6	3.5	2.5
1500	Veff				6.7	3.8	3.2	2.3	1.5	0.9
	NR [dB(A)]				46.0	32.0	26.0	23.0	19.0	13.0
	ΔPt [pa]				75.0	26.0	18.0	9.8	5.8	3.2
2000	Veff					5.1	4.2	3.1	2.0	1.2
	NR [dB(A)]					37.0	33.0	28.0	21.0	18.0
	ΔPt [pa]					44.0	30.5	18.5	9.0	4.3
3000	Veff					7.7	6.3	4.7	3.0	1.8
	NR [dB(A)]					49.5	44.0	33.0	27.0	20.0
	ΔPt [pa]					76.5	69.0	36.0	15.7	6.8
4000	Veff							6.2	4.0	2.3
	NR [dB(A)]							44.0	31.0	22.0
	ΔPt [pa]							66.0	26.5	10.5
5000	Veff								5.0	2.9
	NR [dB(A)]								35.0	25.0
	ΔPt [pa]								41.0	15.5
6000	Veff								6.0	3.5
	NR [dB(A)]								41.0	30.0
	ΔPt [pa]								62.5	22.5
7000	Veff								7.0	4.1
	NR [dB(A)]								57.0	31.0
	ΔPt [pa]								81.0	28.0
8000	Veff									4.7
	NR [dB(A)]									36.0
	ΔPt [pa]									37.5
9000	Veff									5.3
	NR [dB(A)]									38.0
	ΔPt [pa]									48.0

The legend

Ak [m<sup>2</sup>] - The free surface

Veff [m/s] - Air velocity in the grille

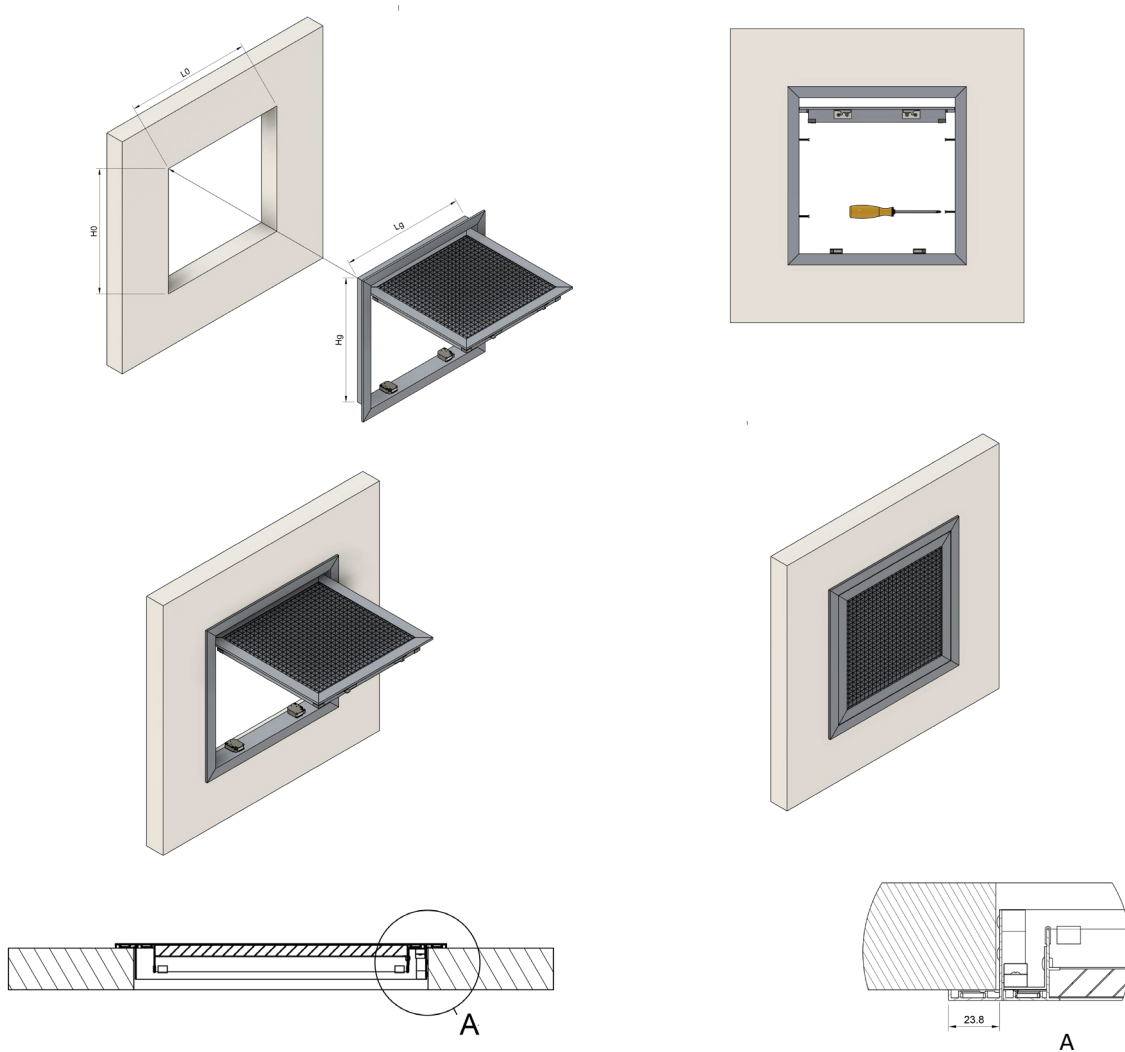
NR [dB (A)] - Noise level without room attenuation

ΔPt [Pa] - Pressure loss

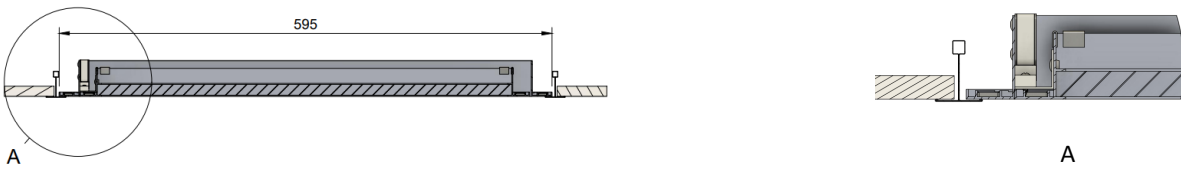
## Installation

The grille can be mounted on the wall or in the false ceiling.

Installation in wall or continuous ceiling



Installation in T-bar suspended ceiling



## Order code

Example on how to place an order

Type	Accessories	Finish
<b>EGD-45</b>		
<b>F-R</b> - Air filter G4		
<b>AN</b> - Uninsulated adapter		
<b>AIZ</b> - Insulated adapter		
<b>RAL9016</b>		
<b>RAL..</b> - Other RAL colors on request		