

Air through perfection

# Egg crate grille with access

## EGD-O



**ACP**  
Access grilles

## Egg crate grille with access EGD-0



### Description

EGD-0 is a return grille with access door and egg crate central part with 0 ° inclination.

The grille allows the evacuation of a high air flow with a minimum pressure loss.

Can be applied on the wall or false ceiling.

### Technical specifications

#### Characteristics

The central part is egg crate type with size 12.5 x 12.5 mm and 0 ° inclination.

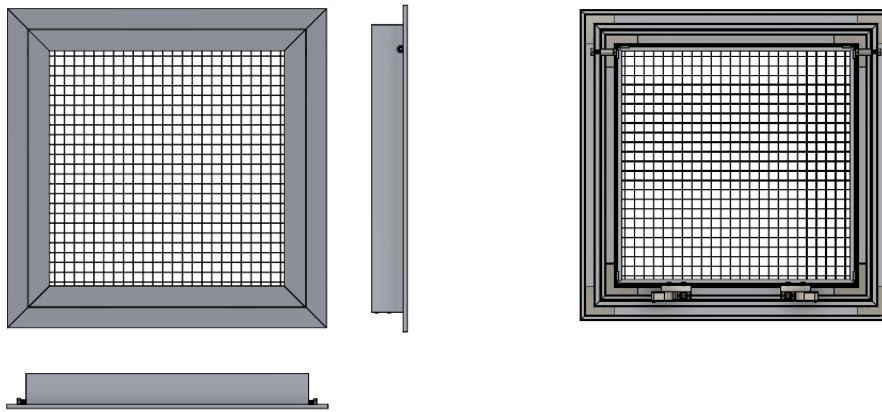
The opening system is click type (opening/closing by pressing) which facilitates access.

The grille is produced as standard without mounting holes. Optionally, mounting holes can be requested on the visible grille frame.

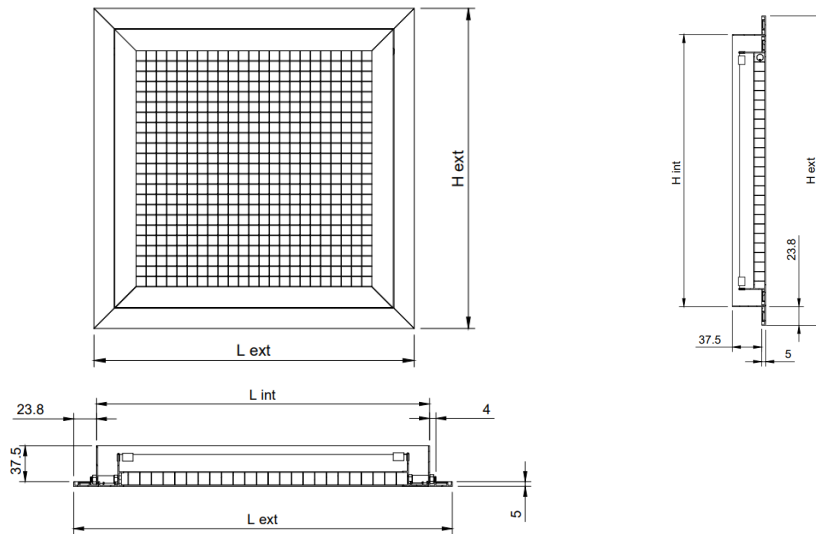
## Materials

The grille is made of extruded aluminum electrostatic field painted in glossy white RAL 9016.  
On request, the grille can be painted in other RAL colours.

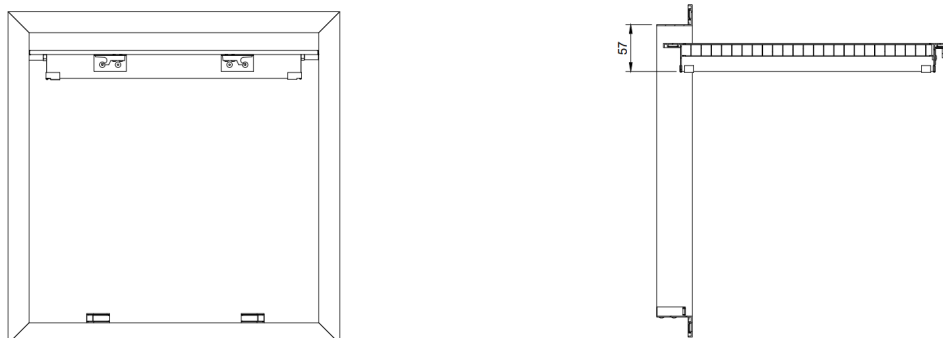
## Technical drawing



Grille in closed position



Grille in open position



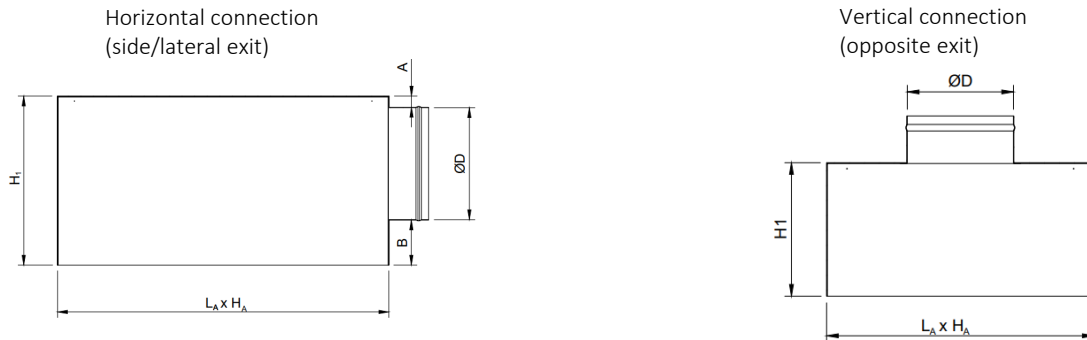
## Accessories

The grille can be equipped with plenum box (adapter) or G4 air filter.

### Adapter (plenum box)

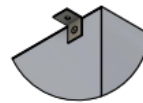
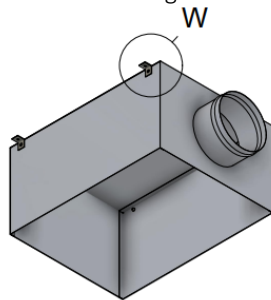
The plenum connection to the circular duct can be with horizontal or vertical connection.

The plenum is provided with suspension elements (lugs) and bead roll on the spigot, for easy fixing of the flexible duct.



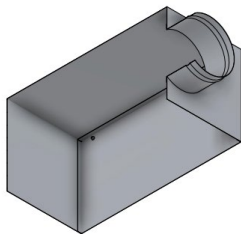
$L_A \times H_A = L_{int} \times H_{int} \text{ grille} + 5 \text{ mm}$   
 $A, B, H_1$  - depending on demand and  $\varnothing D$

The adapter is made of Z140 galvanized sheet metal and is equipped with lugs for mounting.

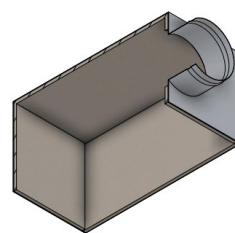


W - Suspension lug

The plenum is available in two options, uninsulated or insulated with 6 mm thick elastomeric rubber.



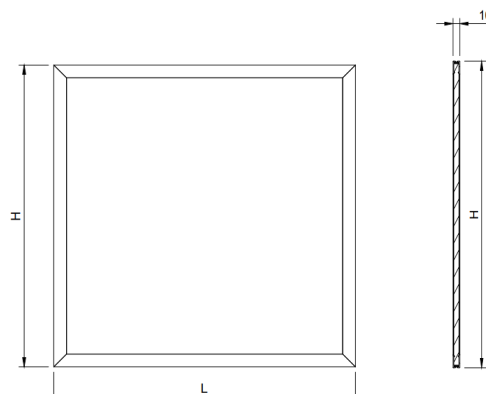
AN - Uninsulated adapter



AIZ - Insulated adapter

### G4 air filter with frame (F-R)

G4 air filter with aluminum frame is used for air filtration and is mounted on the grille connection.



## Functional parameters

Air flow (m <sup>3</sup> /h)	LxH	250x150	350x200	450x250	500x250	550x350	550x400	600x500	650x650	1000x700
	Ak [m <sup>2</sup> ]	0.0106	0.0290	0.0560	0.0650	0.1140	0.1390	0.1880	0.2920	0.5010
100	V <sub>eff</sub>	2.6	1.0	0.5						
	NR [dB(A)]	22.0	11.0	5.0						
	ΔPt [pa]	12.8	1.6	0.4						
200	V <sub>eff</sub>	5.2	1.9	1.0	0.9	0.5				
	NR [dB(A)]	37.0	19.0	12.0	9.0	4.0				
	ΔPt [pa]	51.0	6.5	1.7	1.4	0.4				
300	V <sub>eff</sub>		2.9	1.5	1.3	0.7	0.6			
	NR [dB(A)]		24.0	16.0	13.0	8.0	5.0			
	ΔPt [pa]		15.0	4.2	2.8	1.1	0.6			
400	V <sub>eff</sub>		3.8	2.0	1.7	1.0	0.8	0.6		
	NR [dB(A)]		29.0	18.0	17.0	9.0	8.0	4.0		
	ΔPt [pa]		26.5	7.0	5.1	1.8	1.2	0.6		
500	V <sub>eff</sub>		4.8	2.5	2.1	1.2	1.0	0.7		
	NR [dB(A)]		35.0	21.0	21.0	11.0	10.0	6.0		
	ΔPt [pa]		41.0	11.0	8.2	2.5	1.8	1.0		
600	V <sub>eff</sub>		5.7	3.0	2.6	1.5	1.2	0.9	0.6	
	NR [dB(A)]		39.0	25.0	24.0	16.0	11.0	8.0	5.0	
	ΔPt [pa]		60.5	16.0	11.5	4.0	2.6	1.4	0.7	
700	V <sub>eff</sub>			3.5	3.0	1.7	1.4	1.0	0.7	
	NR [dB(A)]			29.0	26.0	17.0	13.0	10.0	6.0	
	ΔPt [pa]			21.0	16.0	5.4	3.5	2.1	0.8	
800	V <sub>eff</sub>			4.0	3.4	1.9	1.6	1.2	0.8	
	NR [dB(A)]			32.0	30.0	19.0	14.0	11.0	8.0	
	ΔPt [pa]			29.0	20.5	6.5	4.6	2.7	1.0	
900	V <sub>eff</sub>			4.5	3.8	2.2	1.8	1.3	0.9	0.5
	NR [dB(A)]			34.0	31.0	21.0	16.0	12.0	9.0	3.0
	ΔPt [pa]			36.0	27.0	8.5	5.8	3.4	1.2	0.5
1000	V <sub>eff</sub>				4.3	2.4	2.0	1.5	1.0	0.6
	NR [dB(A)]				33.0	21.0	18.0	16.0	12.0	6.0
	ΔPt [pa]				34.0	10.5	7.5	3.6	1.5	0.5
1500	V <sub>eff</sub>				6.4	3.7	3.0	2.2	1.4	0.8
	NR [dB(A)]				44.0	30.0	24.0	21.0	17.0	11.0
	ΔPt [pa]				73.0	24.0	16.0	8.8	3.8	1.2
2000	V <sub>eff</sub>					4.9	4.0	3.0	1.9	1.1
	NR [dB(A)]					35.0	31.0	26.0	19.0	16.0
	ΔPt [pa]					42.0	28.5	16.5	7.0	2.3
3000	V <sub>eff</sub>					7.3	6.0	4.4	2.9	1.7
	NR [dB(A)]					47.5	42.0	31.0	25.0	18.0
	ΔPt [pa]					74.0	67.0	35.0	14.2	4.8
4000	V <sub>eff</sub>							5.9	3.8	2.2
	NR [dB(A)]							42.0	29.0	20.0
	ΔPt [pa]							64.0	25.0	8.5
5000	V <sub>eff</sub>								4.8	2.8
	NR [dB(A)]								33.0	23.0
	ΔPt [pa]								40.0	14.0
6000	V <sub>eff</sub>								5.7	3.3
	NR [dB(A)]								39.0	28.0
	ΔPt [pa]								61.0	21.0
7000	V <sub>eff</sub>								6.7	3.9
	NR [dB(A)]								55.0	29.0
	ΔPt [pa]								80.0	26.0
8000	V <sub>eff</sub>									4.4
	NR [dB(A)]									34.0
	ΔPt [pa]									36.0
9000	V <sub>eff</sub>									5.0
	NR [dB(A)]									36.0
	ΔPt [pa]									46.0

The legend

Ak [m<sup>2</sup>] - The free surface

V<sub>eff</sub> [m/s] - Air velocity in the grille

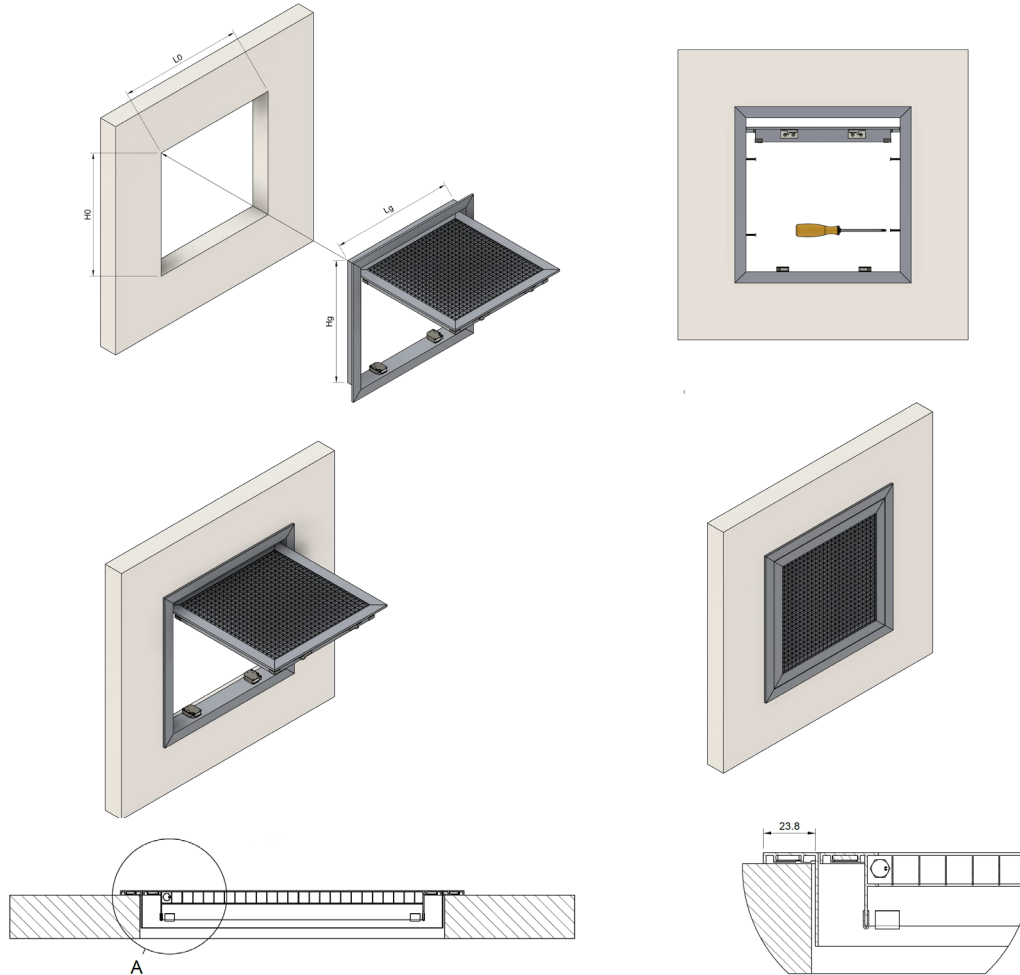
NR [dB (A)] - Noise level without room attenuation

ΔPt [Pa] - Pressure loss

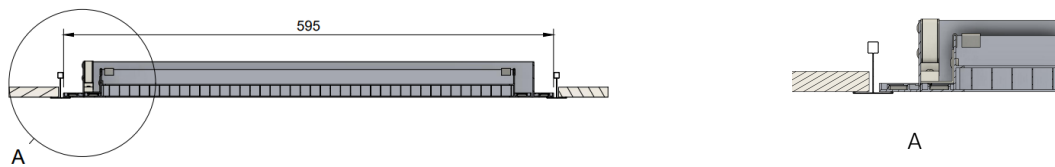
## Installation

The grille can be mounted on the wall or in the false ceiling.

Installation in wall or continuous ceiling



Installation in T-bar suspended ceiling



## Order code

Example on how to place an order

Type	Accessories	Finish
<b>EGD-0</b>		
<b>F-R</b> - Air filter G4		
<b>AN</b> - Uninsulated adapter		
<b>AIZ</b> - Insulated adapter		
<b>RAL9016</b>		
<b>RAL..</b> - Other RAL colors on request		