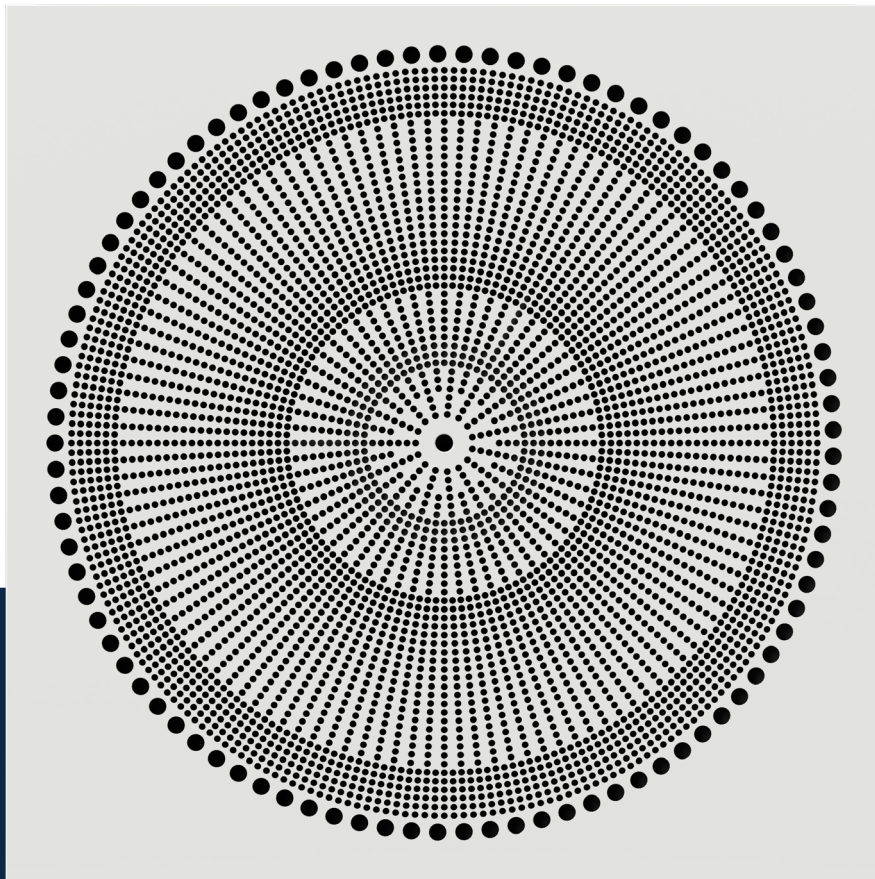


Air through perfection

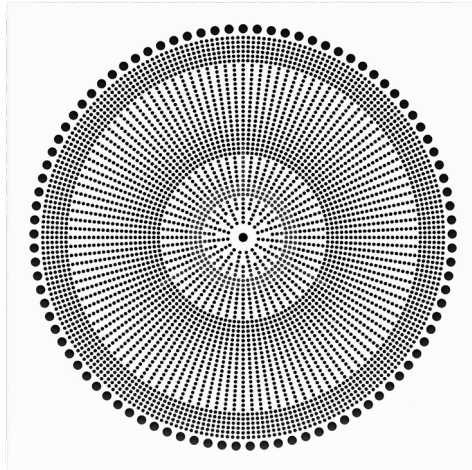
Architectural diffuser

ECHO



ACP
Architectural diffusers

Architectural diffuser ECHO



Description

ECHO is an architectural diffuser with a front plate with circular holes, used to introduce or evacuate air.

The diffuser is recommended for installations with constant or variable air flow and is intended for spaces with heights between 2.7 and 4 m.

The design of the product determines a high level of induction rate.

Technical specifications

Characteristics

The front plate has external dimensions 595x595 mm and the circular connection \varnothing 250 mm.

For a uniform appearance of the enclosures, the ECHO diffuser can also be used for air evacuation.

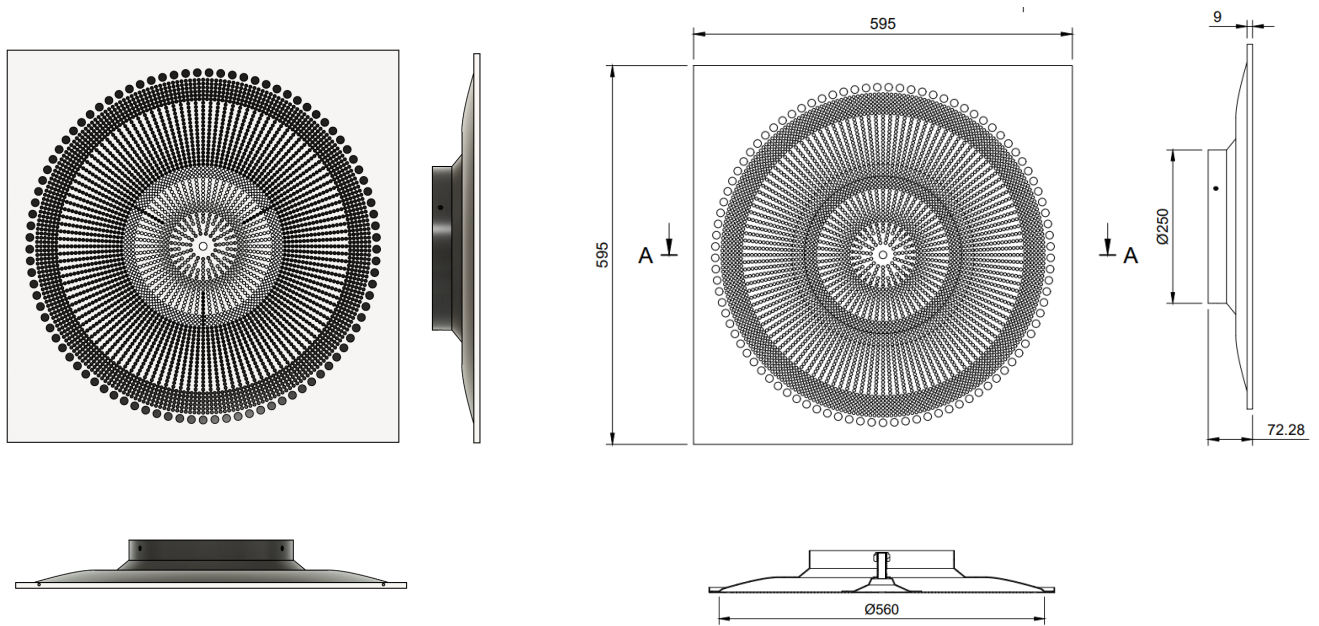
The product is delivered with the following elements: mounting bracket, fixing screw, screw cover cap and sealing gasket.

Materials

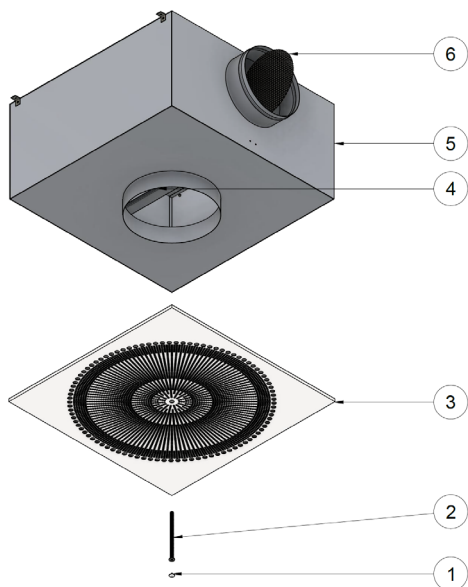
The diffuser is made of galvanized steel sheet and is electrostatic field painted.

The front plate is painted in RAL 9016 glossy white and the circular connection in black RAL 9005.

Technical drawing



Product specifications



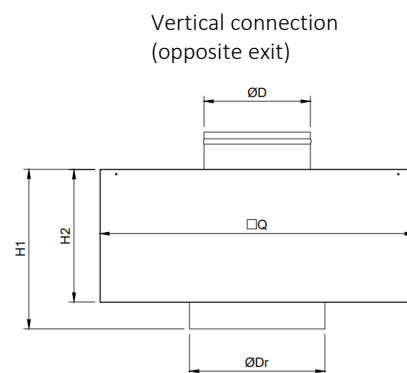
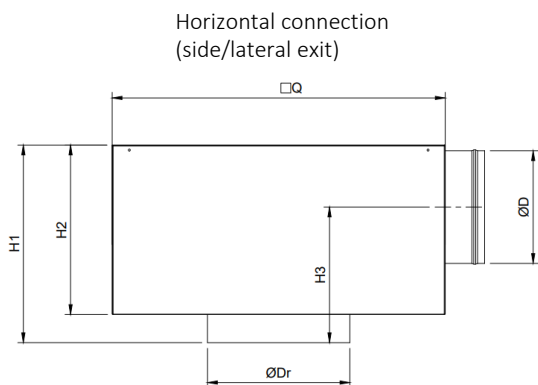
- 1 - Masking cap
- 2 - Fixing screw
- 3 - ECHO diffuser
- 4 - Bracket (mounting crossbar)
- 5 - Plenum box (optional)
- 6 - Perforated damper (optional)

Accessories

The diffuser can be supplied with a plenum connecting to the circular duct, with horizontal or vertical connection. The plenum is provided with suspension elements (lugs) and bead roll on the spigot, for easy fixing of the flexible duct.

Optionally, a perforated damper can be mounted on the plenum connection to balance the air flow.

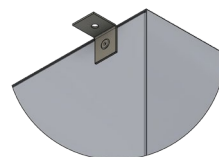
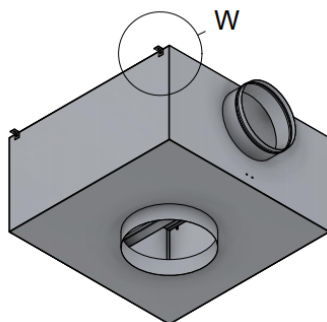
Adapter (plenum box)



ØDr	□Q	H1	H2	H3
mm	mm	mm	mm	mm
255	590	Depending on ØD		

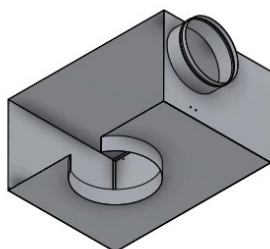
ØDr	□Q	H1	H2
mm	mm	mm	mm
255	590	300	250

The adapter is made of Z140 galvanized steel sheet and has 4 suspension lugs.

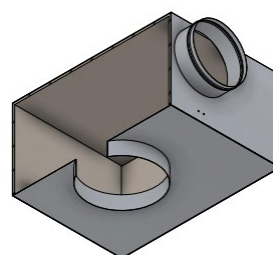


W - Suspension lug

On request, the plenum can be insulated with 6 mm thick elastomeric rubber.

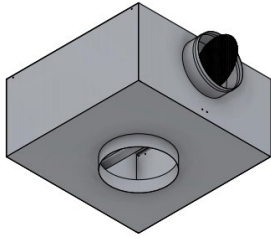


AN - Uninsulated adapter

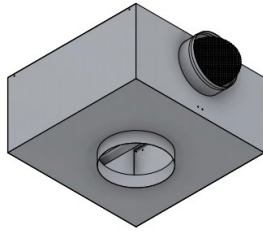


AIZ - Insulated adapter

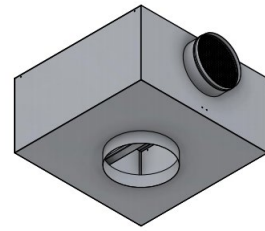
Perforated damper



Position 0°



Position 45°



Position 90°

The perforated damper is mounted on the adapter spigot and has the role of balancing the air flow.

Functional parameters

Air flow [m ³ /h]	Dimension [mm]	595 x 595
	D [mm]	250
	Ak [m ²]	0.0289
400	X _{0,2} [m]	1.35
	NR [db(A)]	23
	ΔPt [Pa]	22
500	X _{0,2} [m]	1.7
	NR [db(A)]	31
	ΔPt [Pa]	35
600	X _{0,2} [m]	2
	NR [db(A)]	38
	ΔPt [Pa]	48
700	X _{0,2} [m]	2.4
	NR [db(A)]	43
	ΔPt [Pa]	65
800	X _{0,2} [m]	2.8
	NR [db(A)]	48
	ΔPt [Pa]	84

The legend

D [mm] – Diffuser connection diameter

Ak [m²] - The free surface

X [m] - The length of the air jet at a speed of 0.2 m/s

NR [dB (A)] - Noise level without room attenuation

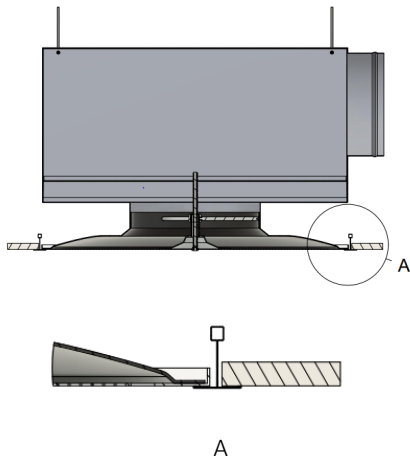
ΔPt [Pa] - Pressure loss

Installation

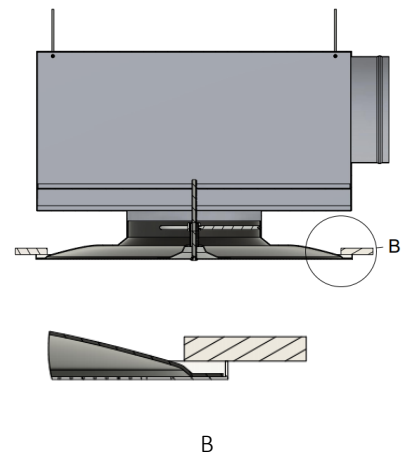
The diffuser can be mounted in 600 x 600 mm T-bar false ceiling, continuous ceiling or suspended.

The fixing of the plenum diffuser is done by using a central screw screwed into the mounting bracket, positioned inside of the plenum box.

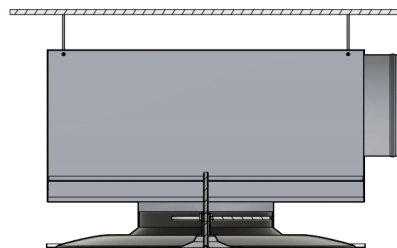
Installation in T-bar suspended ceiling



Installation in continuous ceiling



Suspended in the ceiling



Order code

Example on how to place an order

Type	Dimensions	Accessories	Finish
ECHO	595 x 595 mm / D250		
AIZ - Insulated adapter			
AN - Non-insulated adapter			
Perforated damper (plenum box)			
Front plate RAL 9016			
Circular connection RAL 9005			