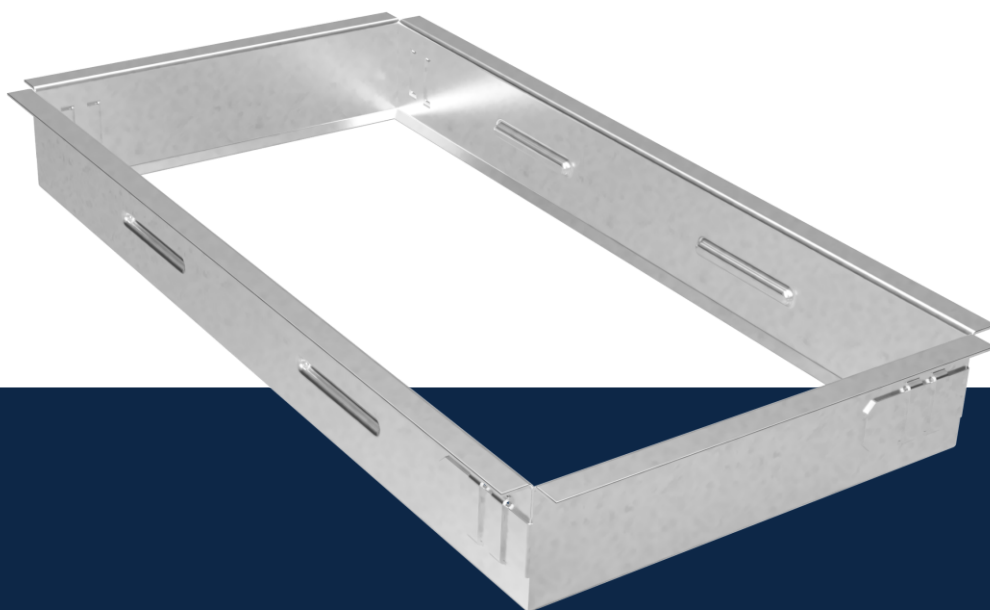


Air through perfection

# Mounting frame



**ACP**  
Accessories

## Mounting frame CC



### Description

Galvanized steel sheet mounting frame is used for mounting the grille in the wall or ceiling. The mounting frame is the element that gives us the advantage of a hidden grille mounting.

### Technical specifications

#### Characteristics

Device used for hidden, easy and fast mounting.

In order to be mounted with a mounting frame, the grille is accessorized with fixing clips.

The fixing of the grille in the mounting frame is done by clamping which determines an easy assembly and disassembly.

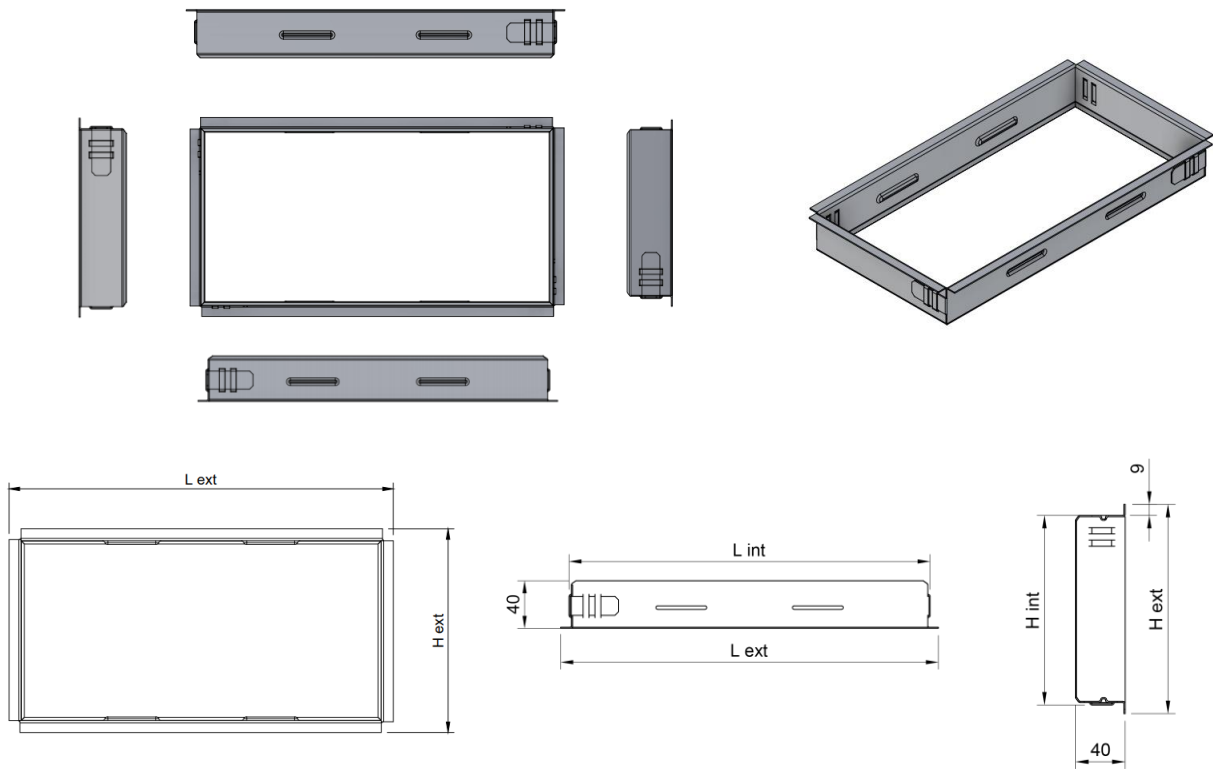
The minimum internal dimensions that can be executed are 100x100 mm.

The large dimensions are made of several pieces with the possibility of joining.

#### Materials

The mounting frame and fixing clips are made of galvanized steel sheet.

### Technical drawing

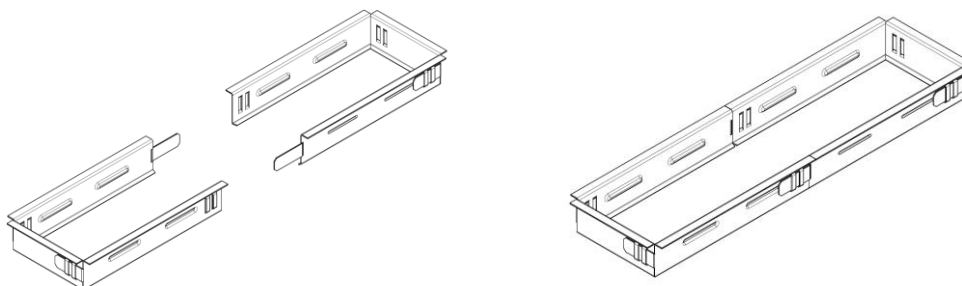


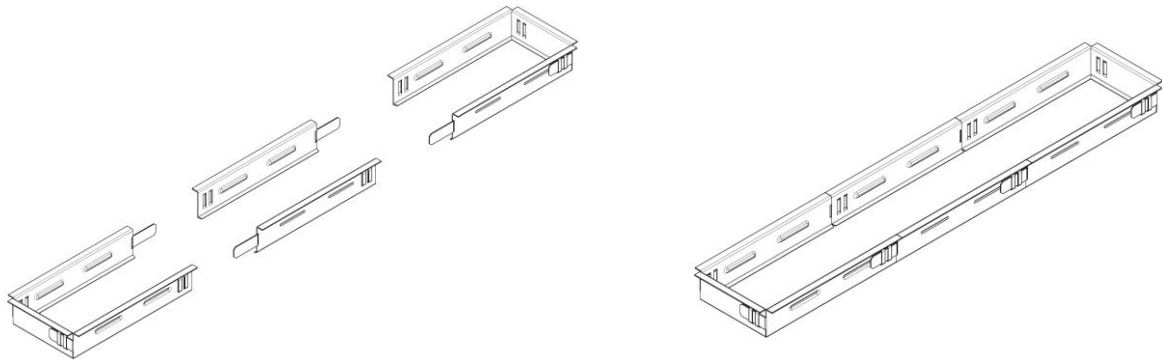
Large sizes are made of several pieces/elements.

The table below gives the number of elements, from which a mounting frame can be made, depending on the dimensions.

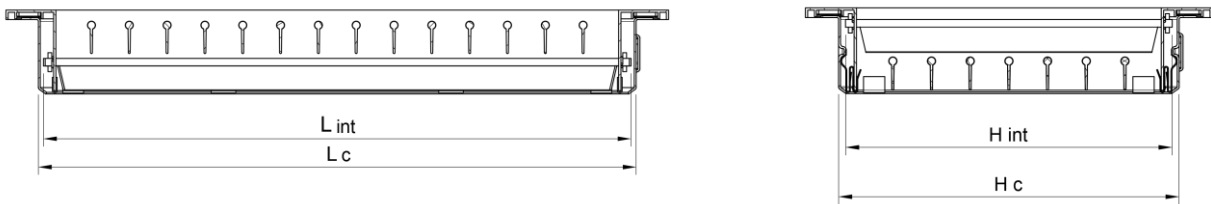
L x H [mm]	Mounting frame																			
	100	200	300	400	500	600	700	800	900	1000	1100	1200	1300	1400	1500	1600	1700	1800	1900	2000
100	1	1	1	1	1	1	1	1	1	1	1	2	2	2	2	2	2	2	2	2
150	1	1	1	1	1	1	1	1	1	1	1	2	2	2	2	2	2	2	2	2
200	-	1	1	1	1	1	1	1	1	1	1	2	2	2	2	2	2	2	2	2
300	-	-	1	1	1	1	1	1	1	1	1	2	2	2	2	2	2	2	2	2
400	-	-	-	1	1	1	1	1	1	1	1	2	2	2	2	2	2	2	2	2
500	-	-	-	-	1	1	1	1	1	1	1	2	2	2	2	2	2	2	2	2
600	-	-	-	-	-	1	1	1	1	1	1	2	2	2	2	2	2	2	2	2

When the mounting frame is made of several pieces, the assembly is performed according to the drawings below.



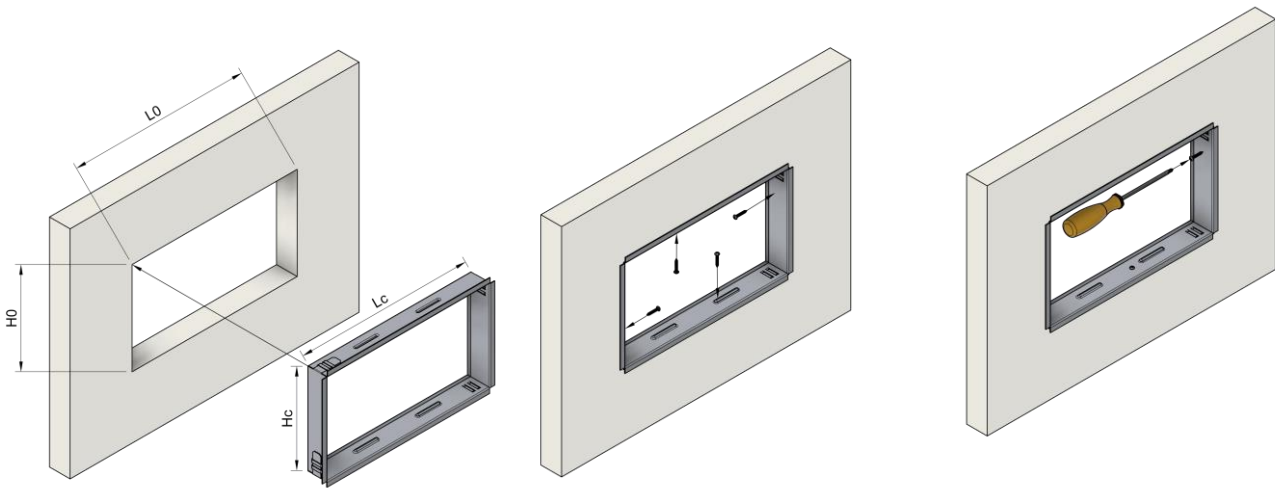


Example: mounting the DD grille with mounting frame



## Installation

The mounting frame is fixed in the existing hole with screws.



## Order code

Example on how to place an order

Type	Dimensions
CC	
On request	