

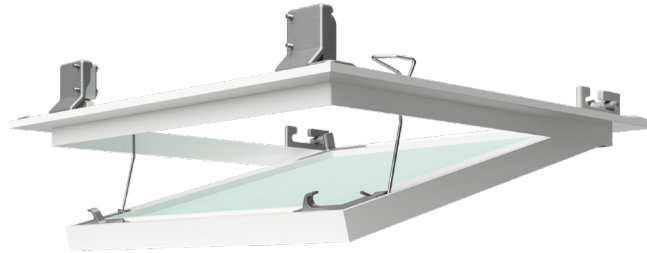
Air through perfection

# Access panel



**ACP**  
Access hatch

## Access panel AG



### Description

The access panel is recommended for use in areas that require regular access.

The access panel facilitates the verification of ventilation and air conditioning works and installations.

The product is intended for mounting on a wall or ceiling with a thickness of 12.5 mm.

### Technical specifications

#### Characteristics

The product consists of a fixed outer frame, a mobile inner frame and a plasterboard front panel.

Opening/closing the hatch is easy and is done through a click system.

The center piece is removable which allows easy access.

The access panel is available in standard sizes: 150 × 150, 200 × 200, 250 × 250, 300 × 300, 400 × 400, 500 × 500 and 600 × 600 mm.

Other sizes are available on request.

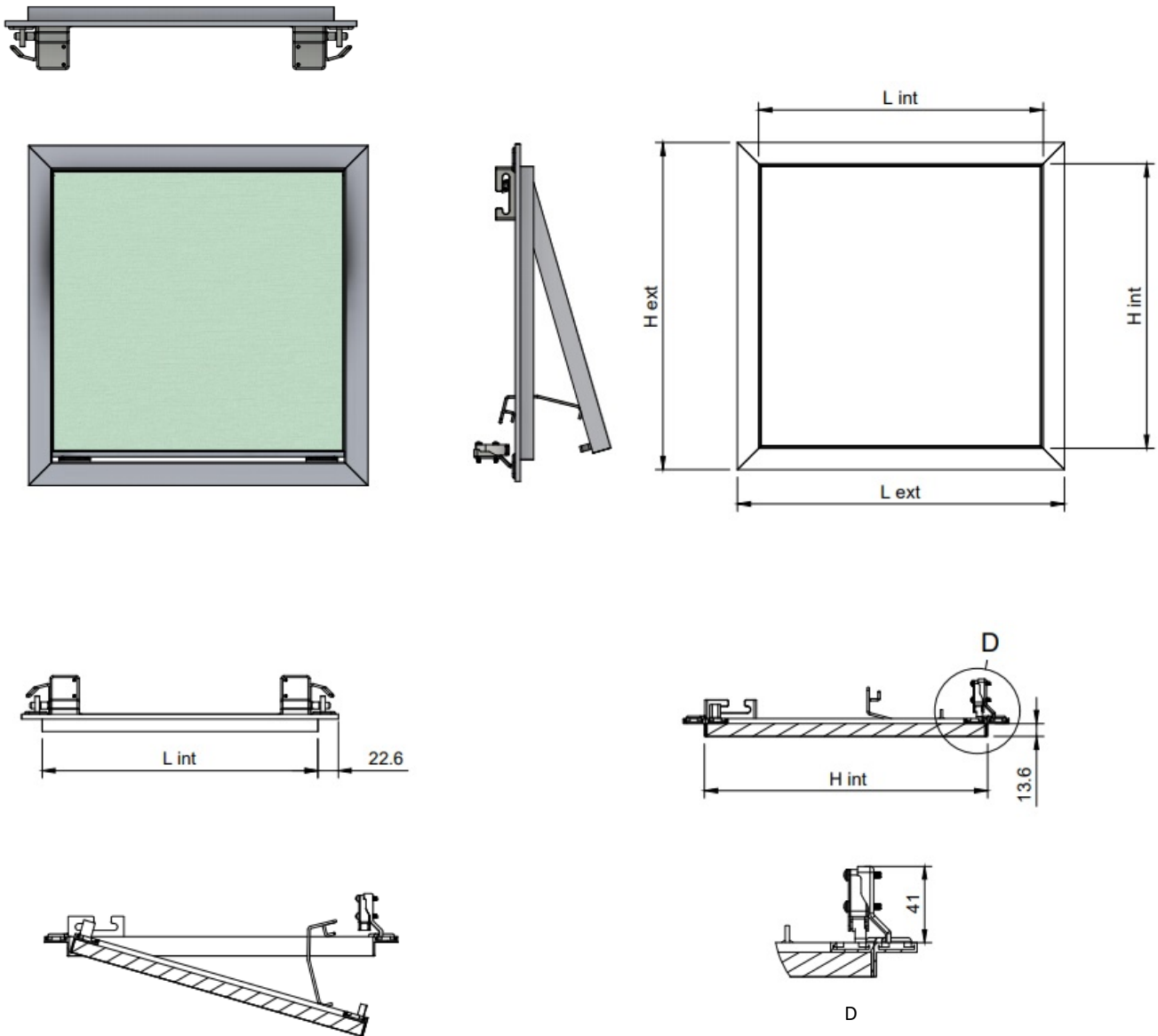
Optionally the product can also be executed with 2, 3 or 4 openings (depending on the size).

### Materials

The product frames (outer + inner) are made of aluminum, 1.2 mm thick, electrostatic field painted in white RAL9016. The safety spring is made of steel (B Class 17723) with galvanized finish, the connecting elements are made of ZL-5 with galvanized finish.

The plate is made of 12.5 mm plasterboard.

### Technical drawing



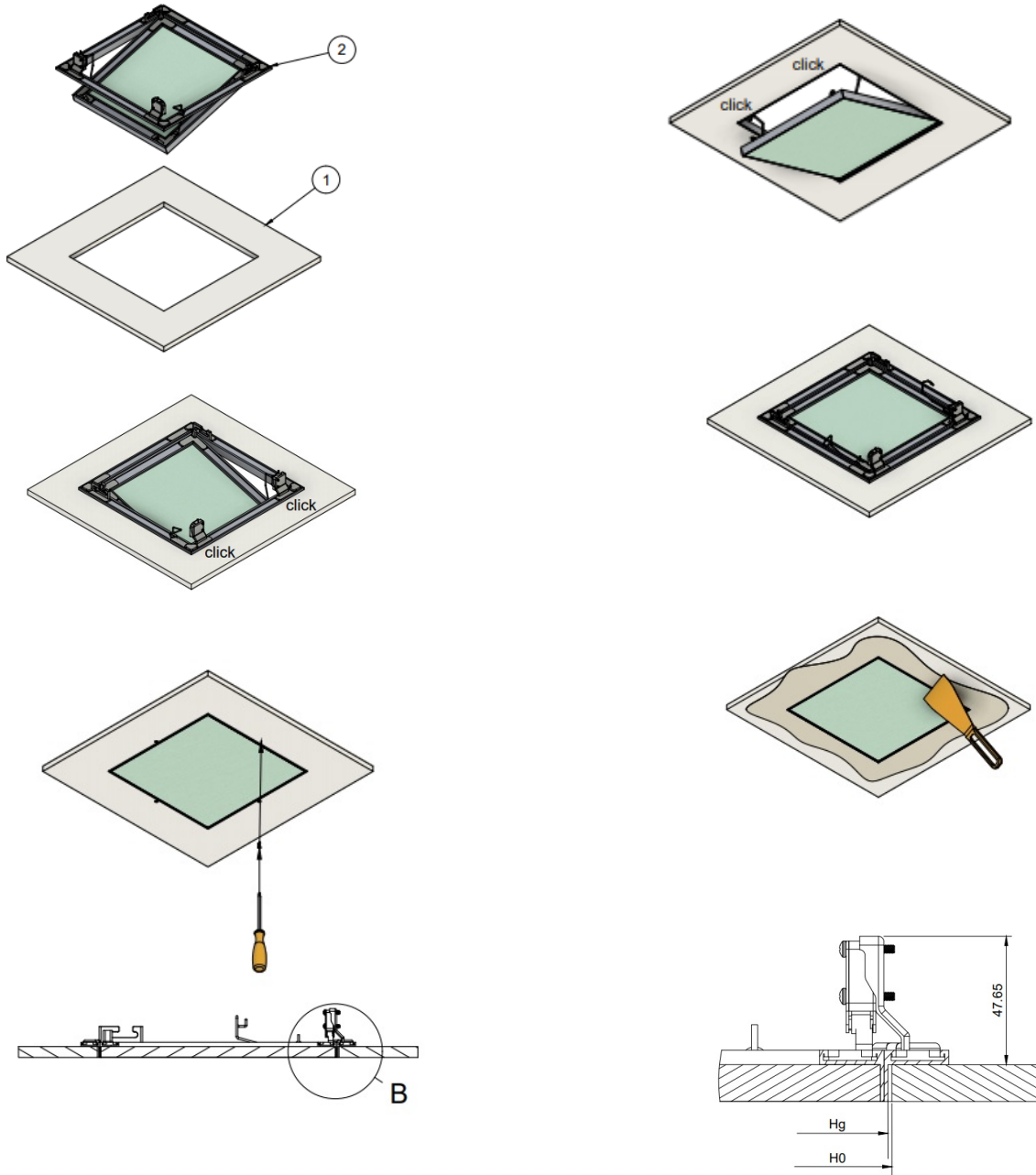
## Installation

The outer frame is fixed to the ceiling/wall with screws for plasterboard.

The finishing (plaster, washable paint) of the mounted outer frame and the central part is done separately.

The cutout in the wall/ceiling must be 2 mm larger than the size of the hatch.

Example: for AG-500x500 the cutout is 502x502 mm.



## Order code

Example on how to place an order

	Type	Dimensions
AG		
On request		