

Air through perfection

Circular exterior grille

WPL-R



ACP
Exterior grilles

Circular exterior grille WPL-R



Description

WPL-R circular ventilation grille is used in ventilation and air conditioning systems for the introduction or evacuation of air.

Technical specifications

Characteristics

The grille is provided with fixed blades and galvanized steel wire mesh.

The wire mesh used has 2x2 mm.

When installing the grille on the exterior walls it is recommended to protect the product against the weather by covering it with special exterior paint in the shade of the facade.

The grille is made with mounting holes, can be delivered without holes on request.

Dimensional range: \varnothing 100, \varnothing 125, \varnothing 150, \varnothing 160, \varnothing 200, \varnothing 250, \varnothing 315, \varnothing 400, \varnothing 500.

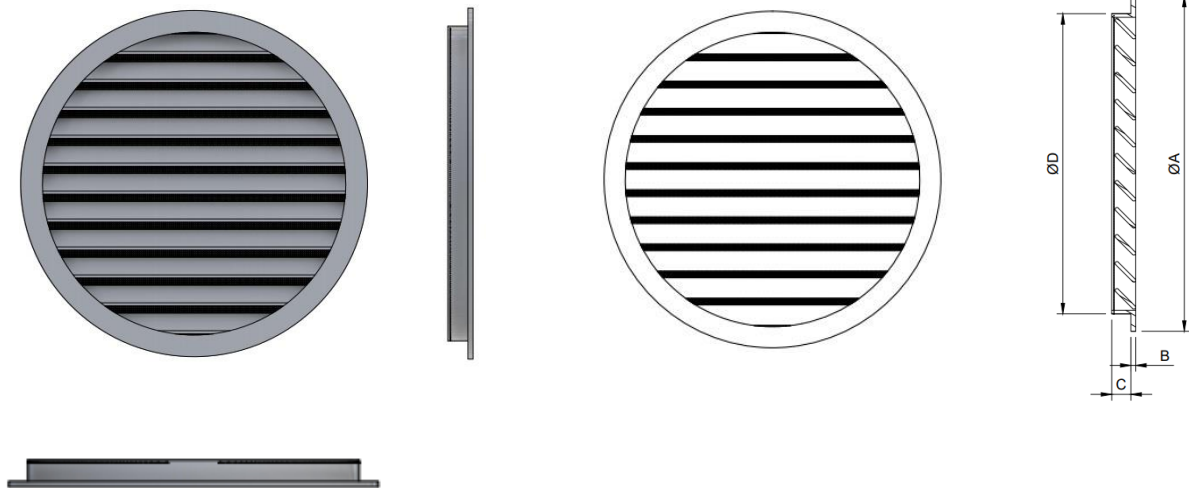
Materials

The grille is made of aluminum with a natural finish.

On request, the product can be painted in any shade from the RAL palette.

Technical drawing

$\varnothing D$ [mm]	$\varnothing A$ [mm]	B [mm]	C [mm]
100	125	5	15
125	150	5	15
150	175	5	15
160	185	5	15
200	225	5	15
250	275	5	15
315	350	7	15
400	430	7	50
500	530	7	50



Functional parameters

Air flow [m ³ /h]	Diameter [mm]	100	125	150	160	200	250	315	400	500
		Ak [m ²]	0.0044	0.0068	0.0098	0.0120	0.0200	0.0310	0.0470	0.0750
40	NR [dB(A)]	12								
	ΔPt [Pa]	10								
60	NR [dB(A)]	23	14							
	ΔPt [Pa]	22	9							
100	NR [dB(A)]	33	27	21	16					
	ΔPt [Pa]	60	25	13	10					
150	NR [dB(A)]		37	31	28	14				
	ΔPt [Pa]		55	30	23	9				
200	NR [dB(A)]		44	38	35	28	10			
	ΔPt [Pa]		105	50	40	17	6			
300	NR [dB(A)]			50	47	38	31			
	ΔPt [Pa]			120	88	35	14			
400	NR [dB(A)]				56	46	40	31		
	ΔPt [Pa]				159	65	26	11		
700	NR [dB(A)]						61	47		
	ΔPt [Pa]						75	32		
800	NR [dB(A)]							50		
	ΔPt [Pa]							39		
1000	NR [dB(A)]							58	30	
	ΔPt [Pa]							70	8	
1500	NR [dB(A)]								40	33
	ΔPt [Pa]								17	6
2000	NR [dB(A)]								47	39
	ΔPt [Pa]								32	11
2500	NR [dB(A)]								52	44
	ΔPt [Pa]								48	16
4000	NR [dB(A)]								63	55
	ΔPt [Pa]								110	37
6000	NR [dB(A)]									70
	ΔPt [Pa]									85

The legend

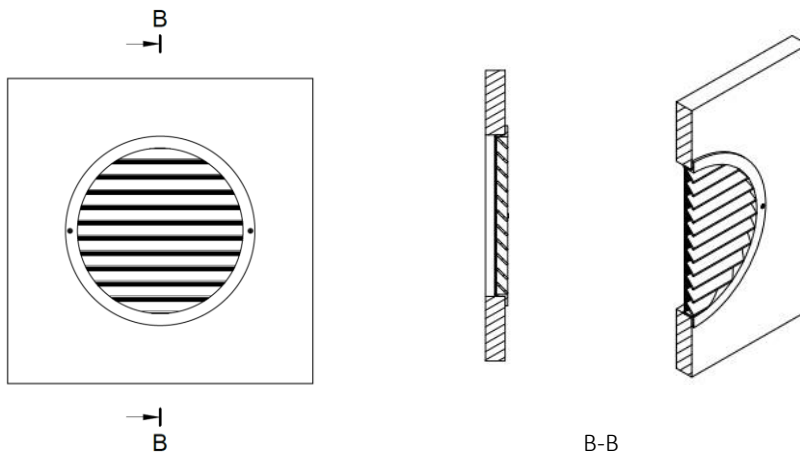
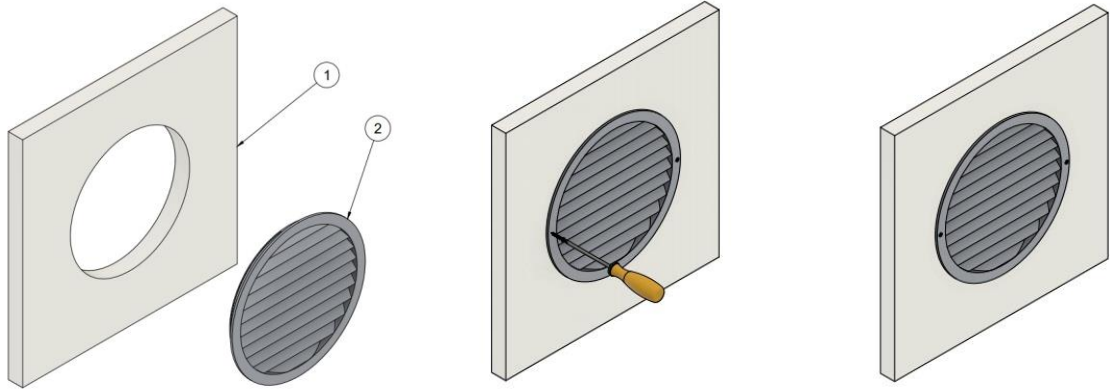
Ak [m²] - The free surface

NR [dB (A)] - Noise level without room attenuation

ΔPt [Pa] - Pressure loss

Installation

The grille is mounted with screws.



Order code

Example on how to place an order

Type	Dimensions	Finish
WPL-R	Ø100 ... Ø500	Natural aluminium (standard) RAL... - RAL colors on request
Ø100 ... Ø500		
Natural aluminium (standard) RAL... - RAL colors on request		