

CEILING DIFFUSER CD-LT



Description

- 4 directions aluminium ceiling diffuser, for paneled ceiling mounting.

Application

- Supply and exhaust of air flow.

Characteristics

- Removable central cone for easy installation and cleaning.
- The air flow can be adjusted by mounting an air control damper OBD on the diffuser inlet.

Accessories

- Air control damper with opposable blades OBD.
- Insulated/Non-insulated adaptor ADP IZ/N.

Materials and finishing

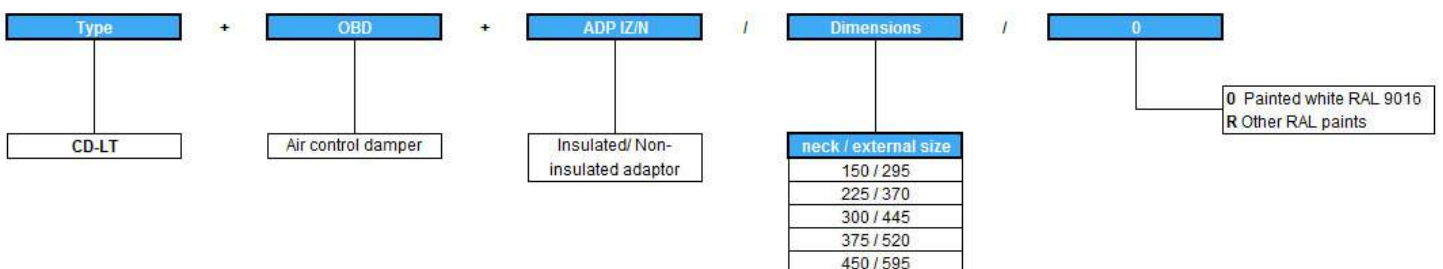
- Extruded aluminum, electrostatic field painted white RAL 9016.
- Other RAL colors available on request.



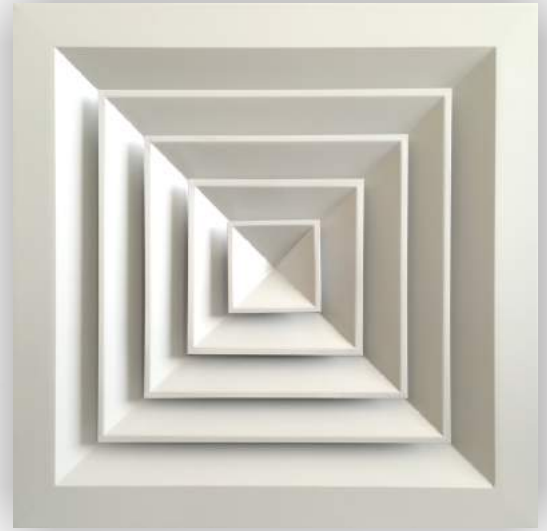
Mounting

- Possibility of installation / mounted by fitting the diffuser.

Order code



CEILING DIFFUSER CD-LT



Technical Specifications

Air flow (m ³ / h)	LXH Ak [m ²]	150x150	225x225	300x300	375x375	450x450
		0.0109	0.0244	0.0435	0.0679	0.0978
100	Veff [m/s]	2.6				
	X (m)	0,6				
	NR [dB(A)]	18.0				
	ΔPt [pa]	5.0				
160	Veff [m/s]	4.1	1.8			
	X (m)	1,0	0,7			
	NR [dB(A)]	29.0	13.0			
	ΔPt [pa]	12.0	2.0			
200	Veff [m/s]	5.1	2.3			
	X (m)	1,2	0,8			
	NR [dB(A)]	35.0	18.0			
	ΔPt [pa]	18.0	4.0			
300	Veff [m/s]	7.7	3.4	1.9		
	X (m)	1,9	1,3	0,9		
	NR [dB(A)]	45.0	28.0	16.0		
	ΔPt [pa]	41.0	8.0	3.0		
400	Veff [m/s]		4.6	2.6	1.6	
	X (m)		1,7	1,3	1,0	
	NR [dB(A)]		35.0	24.0	15.0	
	ΔPt [pa]		15.0	5.0	2.0	
500	Veff [m/s]		5.7	3.2	2.1	
	X (m)		2,1	1,6	1,3	
	NR [dB(A)]		41.0	29.0	20.0	
	ΔPt [pa]		23.0	7.0	3.0	
600	Veff [m/s]		6.8	3.8	2.5	1.7
	X (m)		2,5	1,9	1,5	1,3
	NR [dB(A)]		45.0	34.0	25.0	17.0
	ΔPt [pa]		33.0	10.0	4.0	2.0
700	Veff [m/s]		8.0	4.5	2.9	2.0
	X (m)		2,9	2,2	1,8	1,5
	NR [dB(A)]		49.0	37.0	28.0	21.0
	ΔPt [pa]		44.0	14.0	6.0	3.0
800	Veff [m/s]		9.1	5.1	3.3	2.3
	X (m)		3,3	2,5	2,0	1,7
	NR [dB(A)]		53.0	41.0	32.0	24.0
	ΔPt [pa]		58.0	18.0	7.0	4.0
900	Veff [m/s]			5.8	3.7	2.6
	X (m)			2,8	2,3	1,9
	NR [dB(A)]			44.0	35.0	27.0
	ΔPt [pa]			23.0	9.0	5.0
1000	Veff [m/s]			6.4	4.1	2.8
	X (m)			3,1	2,5	2,1
	NR [dB(A)]			46.0	37.0	30.0
	ΔPt [pa]			29.0	12.0	6.0
1200	Veff [m/s]			7.7	4.9	3.4
	X (m)			3,8	3,0	2,5
	NR [dB(A)]			51.0	42.0	34.0
	ΔPt [pa]			41.0	17.0	8.0
1600	Veff [m/s]				6.6	4.5
	X (m)				4,0	3,3
	NR [dB(A)]				49.0	41.0
	ΔPt [pa]				30.0	14.0
2000	Veff [m/s]				8.2	5.7
	X (m)				5,0	4,2
	NR [dB(A)]				54.0	47.0
	ΔPt [pa]				47.0	23.0
3000	Veff [m/s]					8.5
	X (m)					6,3
	NR [dB(A)]					57.0
	ΔPt [pa]					51.0

" n " - NR < 35

" n " - 35 ≤ NR ≤ 45

" n " - NR > 45

Annotation

*Ak [m²] - Free surface of the diffuser

*Veff [m/s] - Air velocity in diffuser

*X [m] - Air jet length

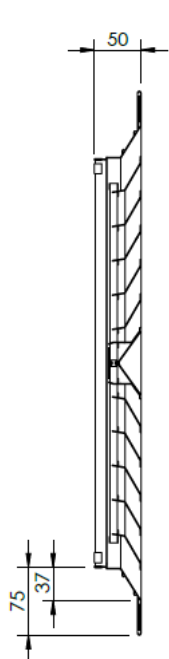
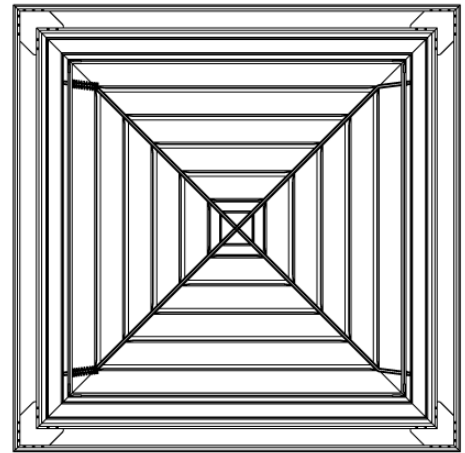
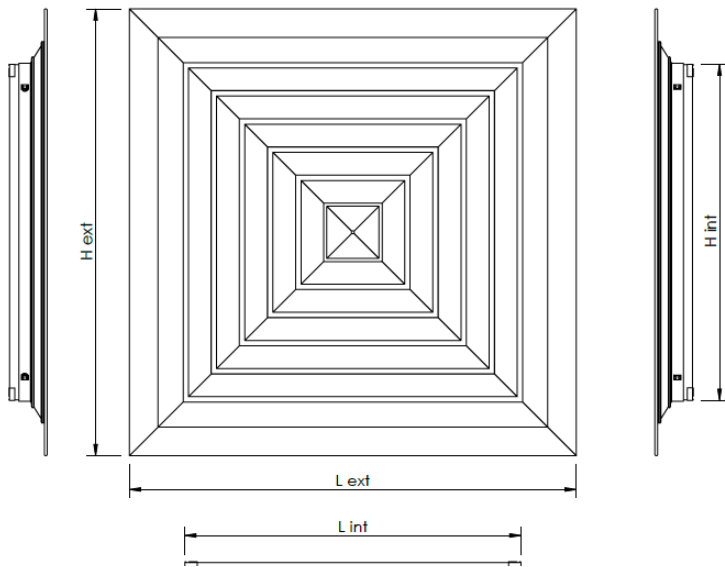
*NR [dB(A)] - Noise level without the room attenuation

*ΔPt [pa] - Pressure loss inside diffuser

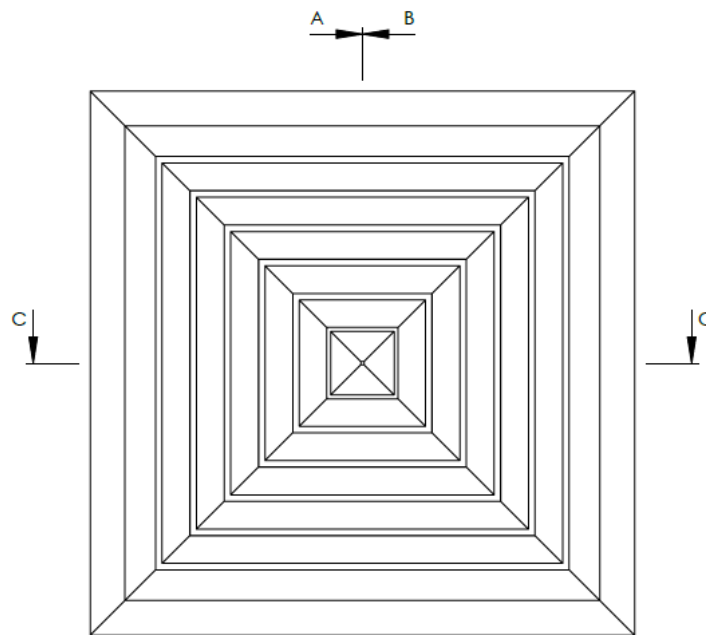
*Vk = 0.2 [m/s] - Speed at which airflow length was calculated "x" [m]

CEILING DIFFUSER CD-LT

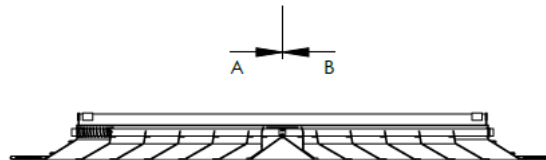
Technical Design



SECTION A-A



SECTION B-B



SECTION C-C